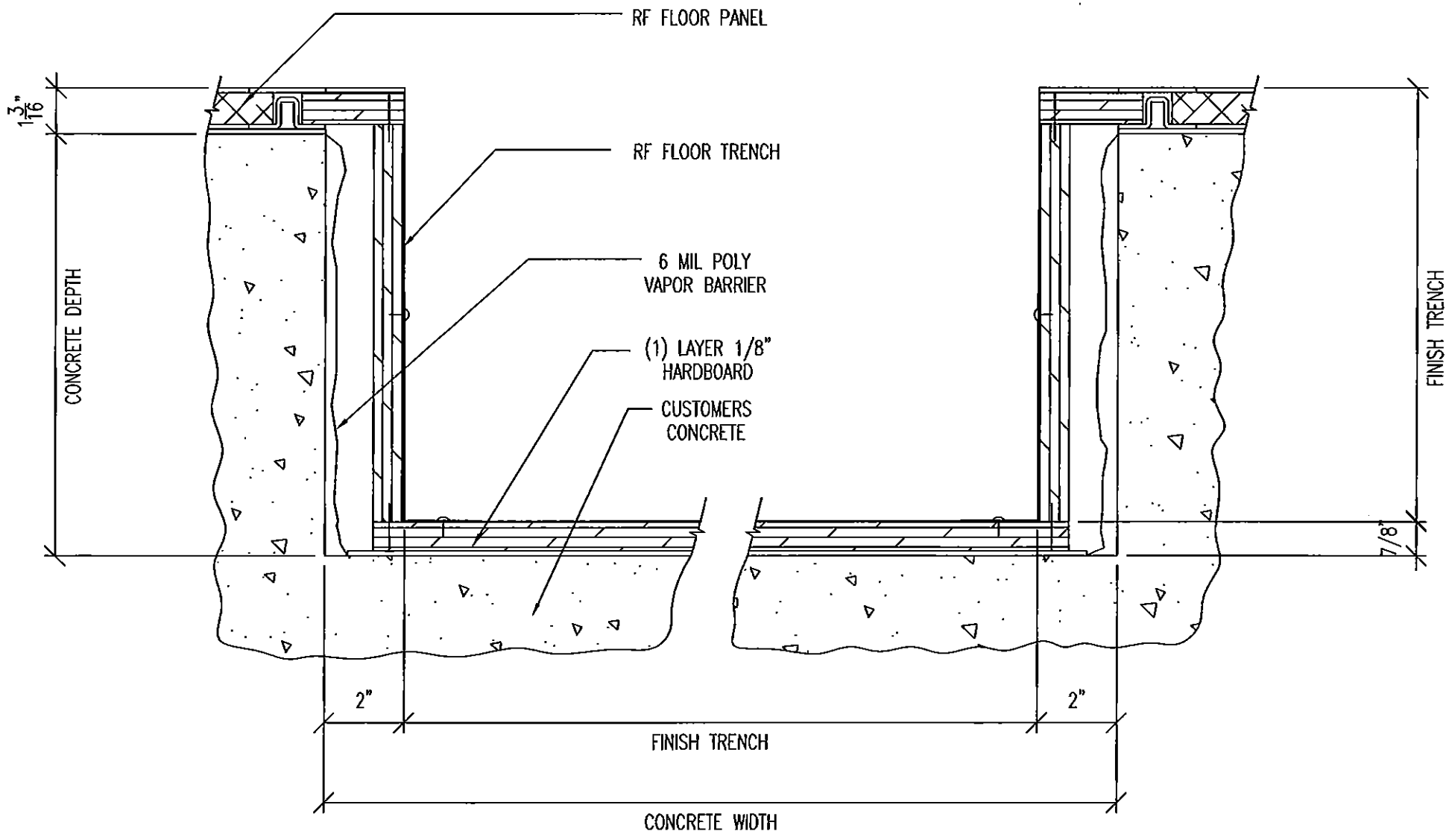


LOWER WALL AND MODULAR FLOOR SYSTEM

FIGURE R02

MODULAR RF SHIELD

BSS BRADEN SHIELDING
 SYSTEMS
 9260 Broken Arrow Expressway, Tulsa, OK. 74145
 (918) 624-2888 Phone, (918) 624-2886 Fax

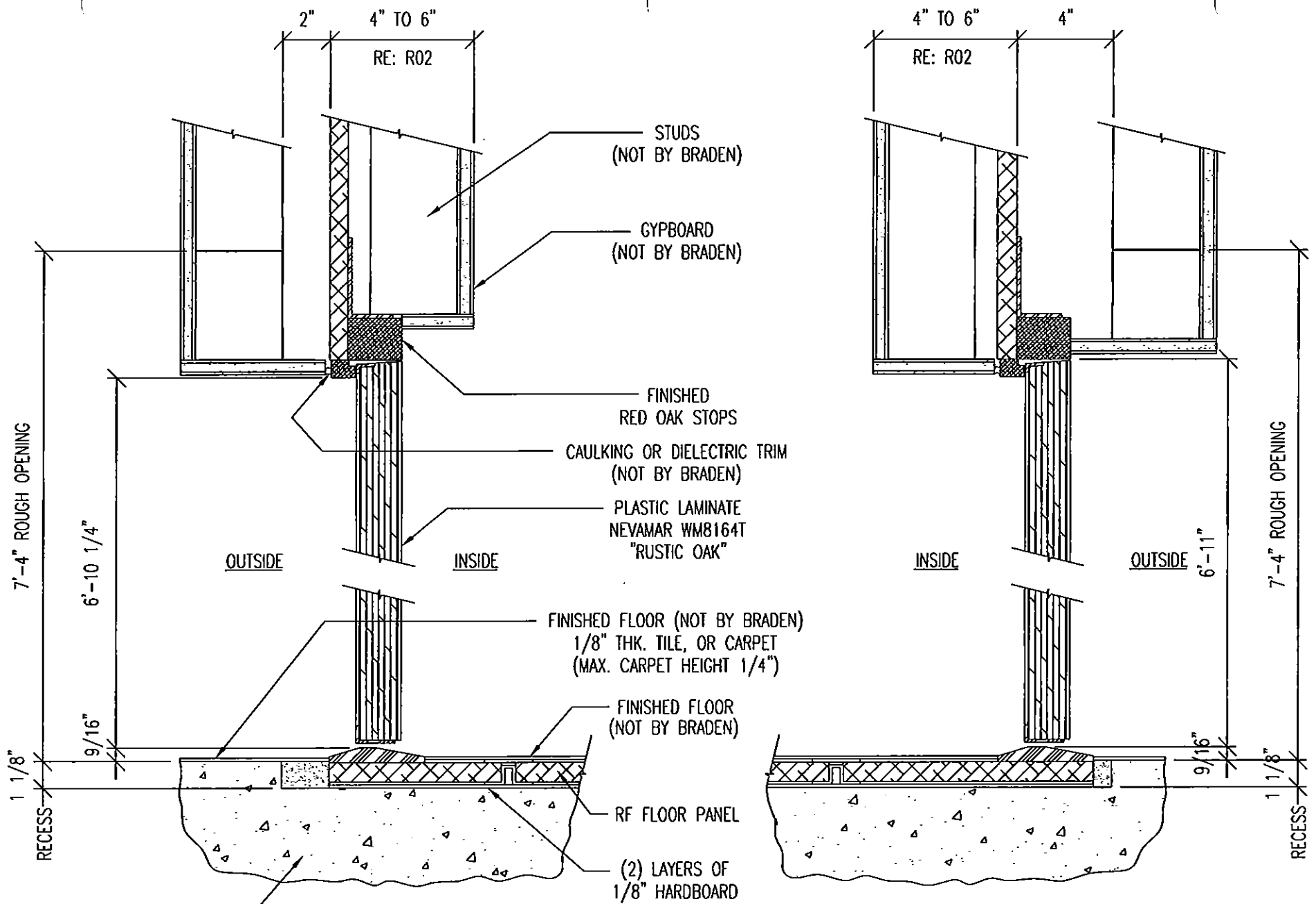


TYPICAL TRENCH SECTION

MODULAR RF SHIELD

FIGURE R03

BSS BRADEN SHIELDING
 S Y S T E M S
 9260 Broken Arrow Expressway, Tulsa, OK. 74145
 (918) 624-2888 Phone, (918) 624-2886 Fax



OUTSIDE

INSIDE

INSIDE

OUTSIDE

INSWING

OUTSWING

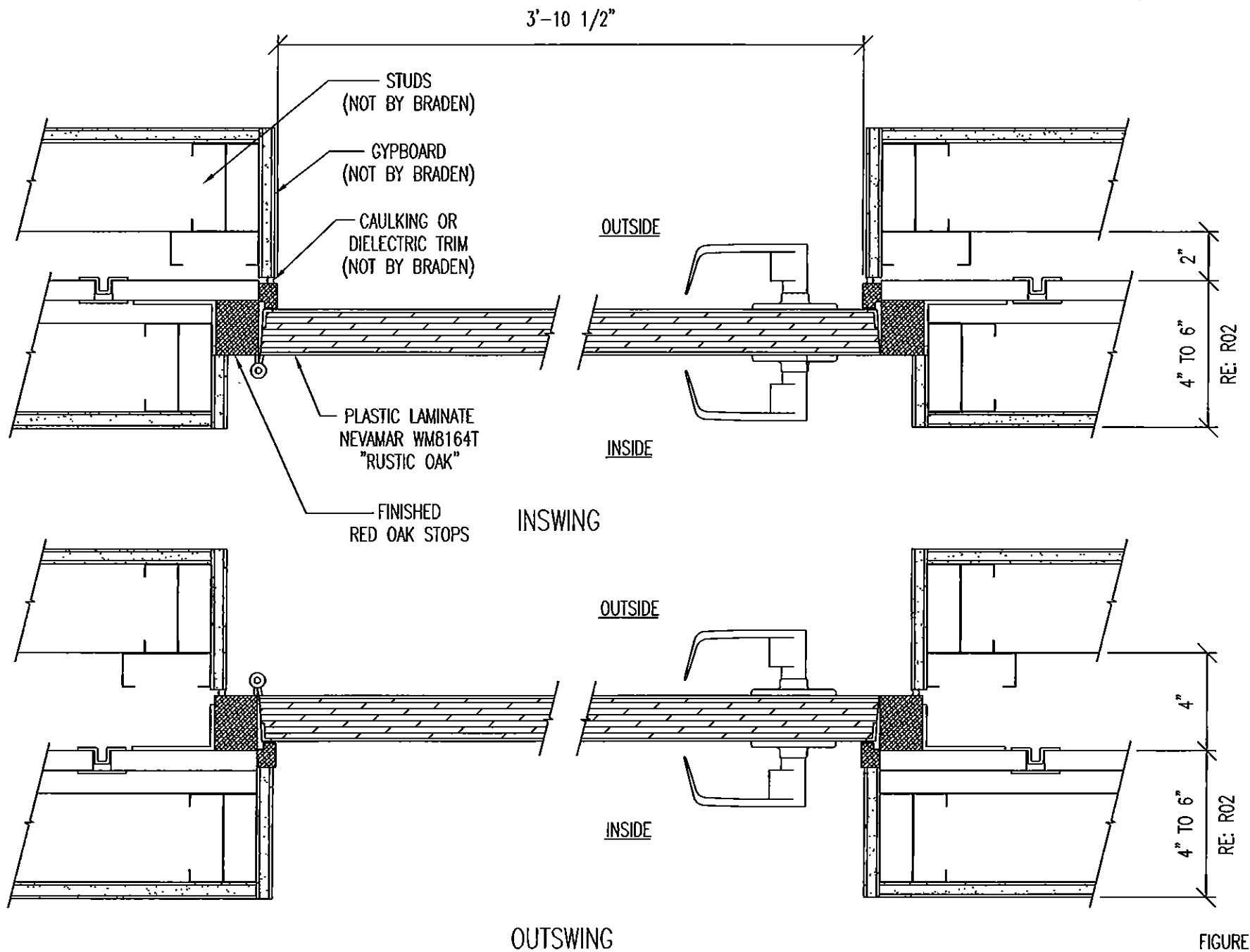
FIGURE R04

VERTICAL DOOR SECTION

MODULAR RF SHIELD

NOTE: OTHER PLASTIC LAMINATE COLORS AVAILABLE UPON REQUEST

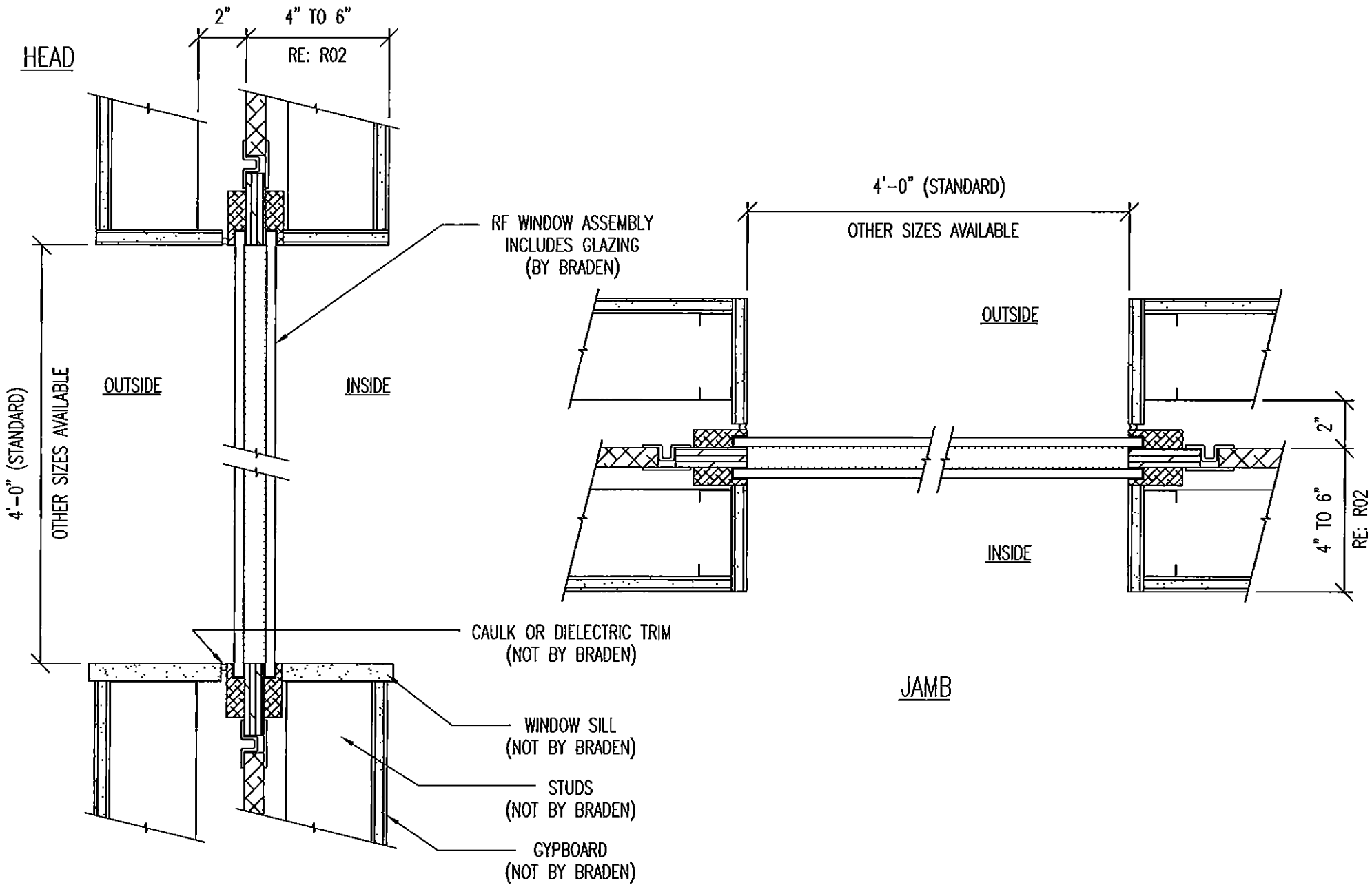
BSS BRADEN SHIELDING
 SYSTEMS
 9260 Broken Arrow Expressway, Tulsa, OK. 74145
 (918) 624-2888 Phone, (918) 624-2886 Fax



HORIZONTAL DOOR SECTION
MODULAR RF SHIELD

FIGURE R05

BSS BRADEN SHIELDING
S Y S T E M S
9260 Broken Arrow Expressway, Tulsa, OK. 74145
(918) 624-2888 Phone, (918) 624-2886 Fax



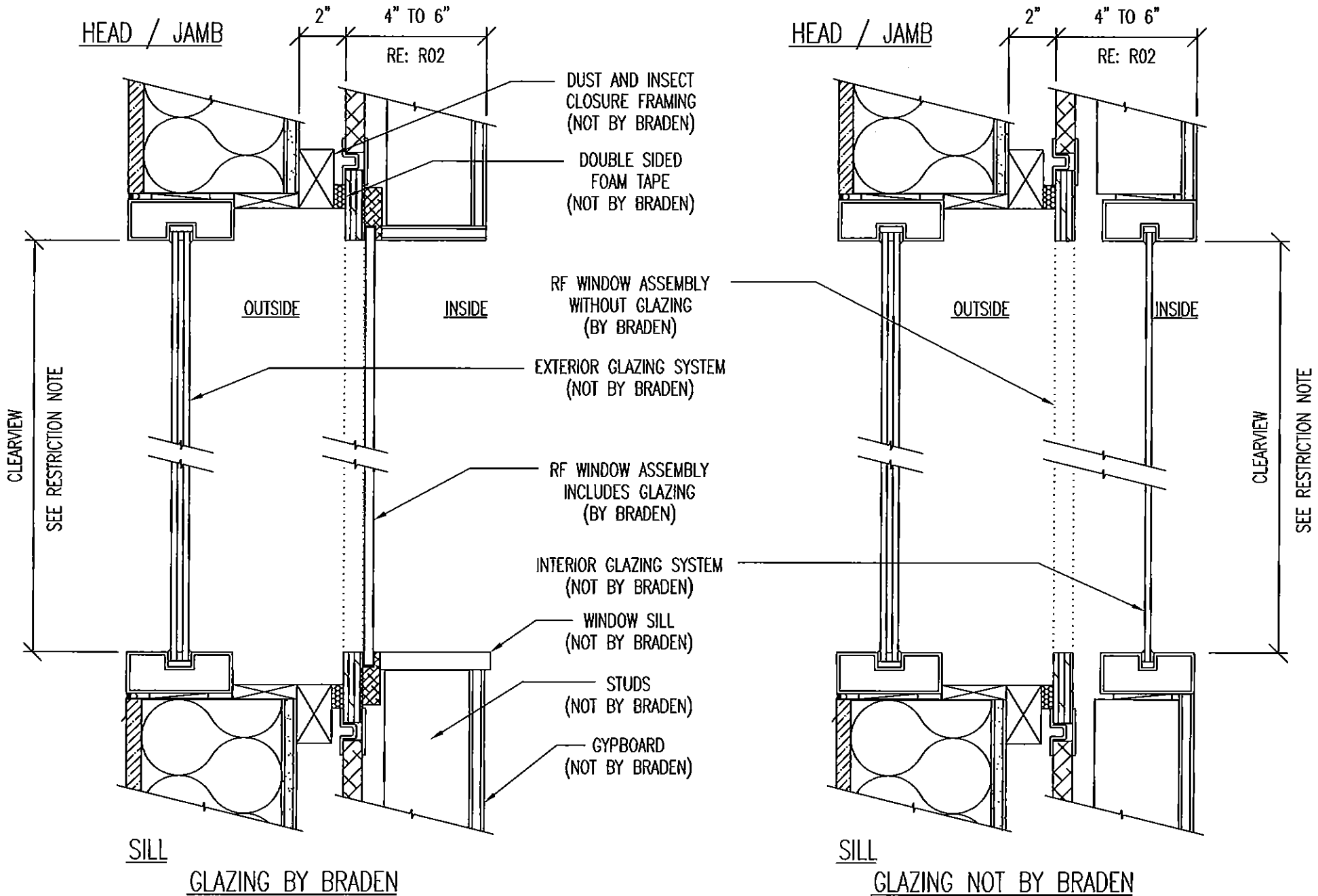
SILL

RF CONTROL ROOM WINDOW DETAILS

MODULAR RF SHIELD

FIGURE R06

BSS BRADEN SHIELDING
 S Y S T E M S
 9260 Broken Arrow Expressway, Tulsa, OK. 74145
 (918) 624-2888 Phone, (918) 624-2886 Fax



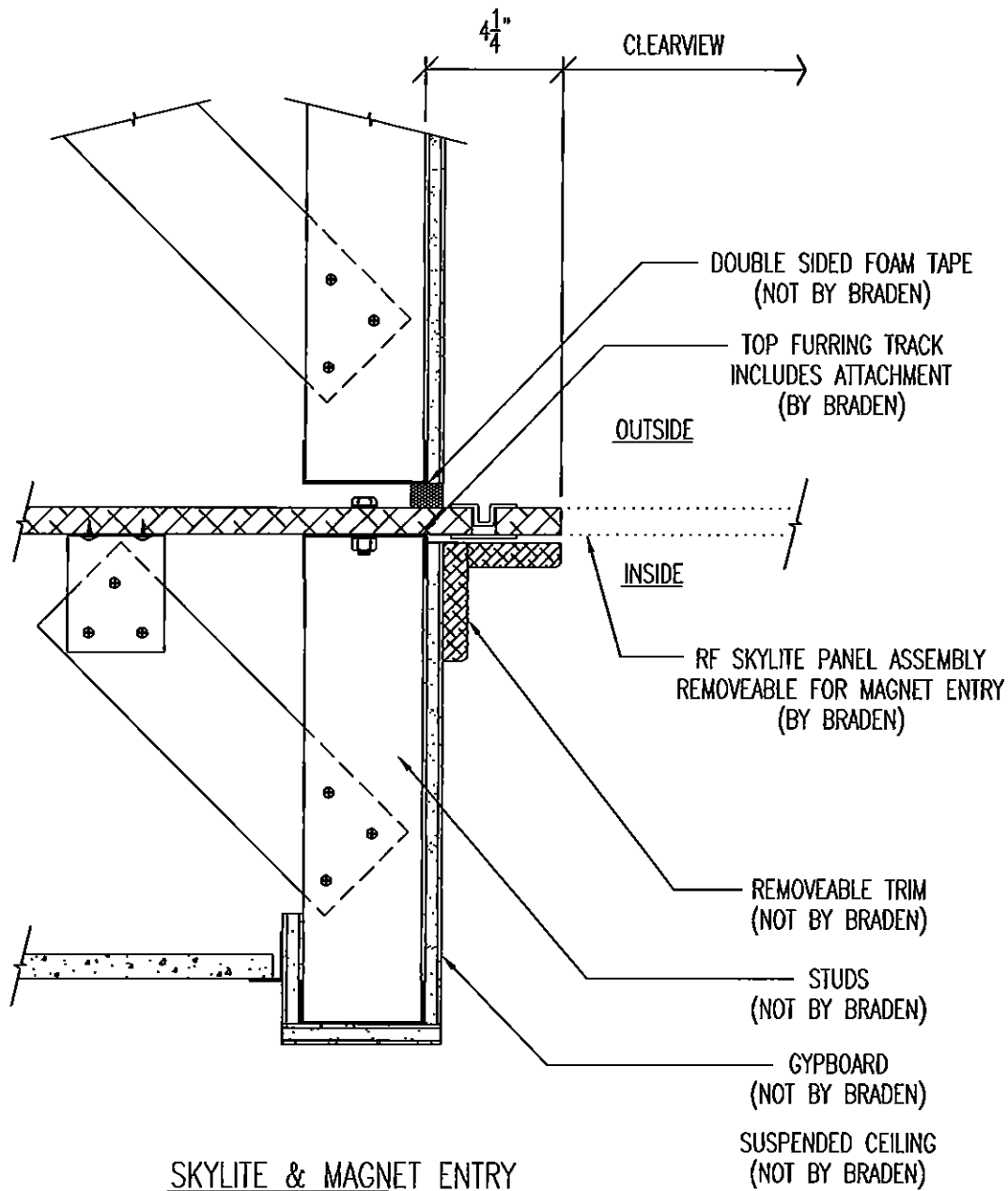
*NOTE:
 DUE TO LIMITATIONS OF RF SCREEN MATERIAL
 EITHER THE WIDTH OR HEIGHT OF A CLEARVIEW
 OPENING CANNOT EXCEED 4'-4".

RF EXTERIOR WINDOW DETAILS

MODULAR RF SHIELD

FIGURE R07

BSS BRADEN SHIELDING
 S Y S T E M S
 9260 Broken Arrow Expressway, Tulsa, OK. 74145
 (918) 624-2888 Phone, (918) 624-2886 Fax

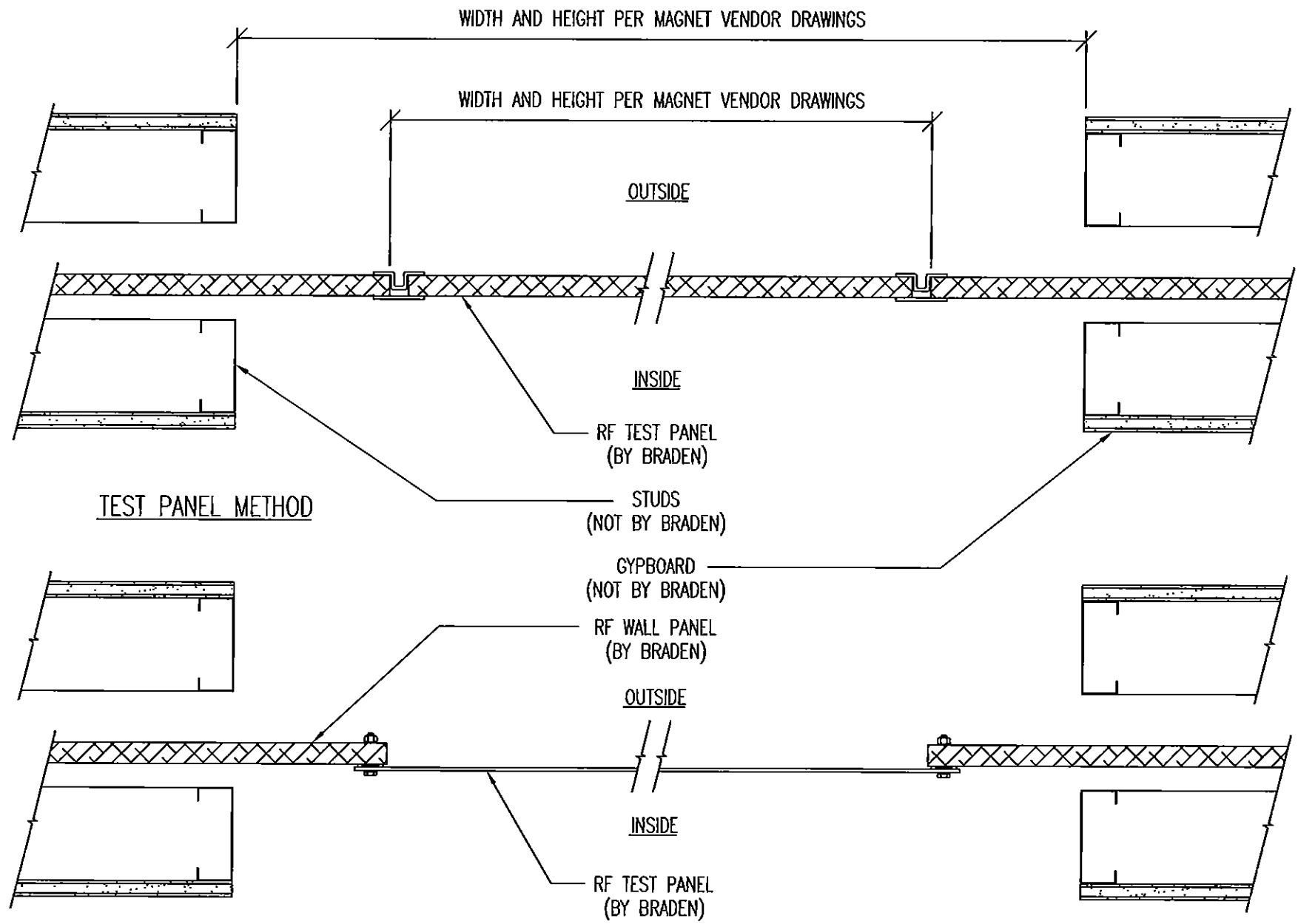


*NOTE:
DUE TO LIMITATIONS OF RF SCREEN MATERIAL
EITHER THE WIDTH OR HEIGHT OF A CLEARVIEW
OPENING CANNOT EXCEED 4'-4".

RF SKYLITE DETAIL
MODULAR RF SHIELD

FIGURE R08

BSS BRADEN SHIELDING
S Y S T E M S
9260 Broken Arrow Expressway, Tulsa, OK. 74145
(918) 624-2888 Phone, (918) 624-2886 Fax



TEST PANEL METHOD

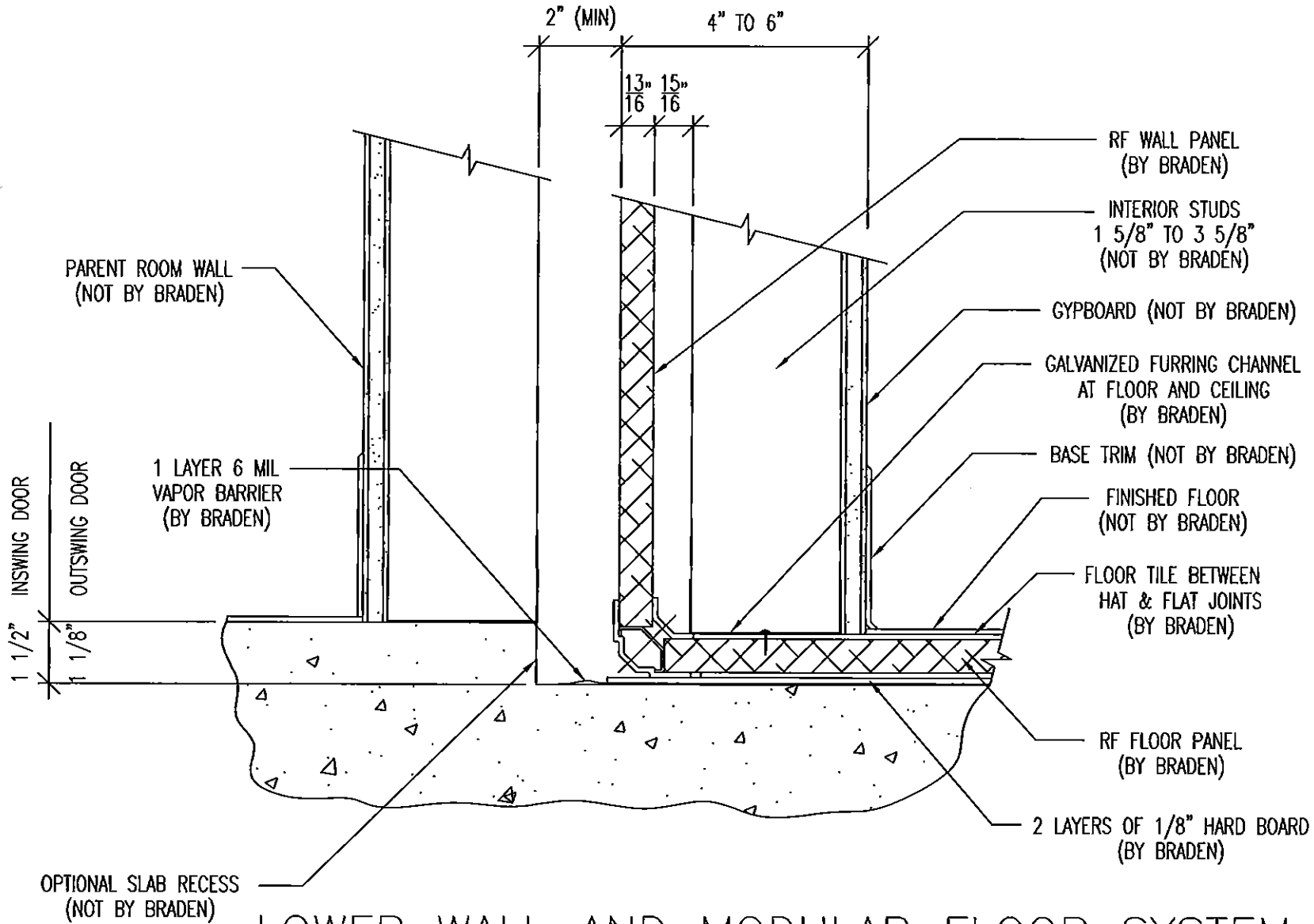
TEST PLATE METHOD

RF PENETRATION PANEL DETAILS

MODULAR RF SHIELD

FIGURE R09

BSS BRADEN SHIELDING
 S Y S T E M S
 9260 Broken Arrow Expressway, Tulsa, OK. 74145
 (918) 624-2888 Phone, (918) 624-2886 Fax

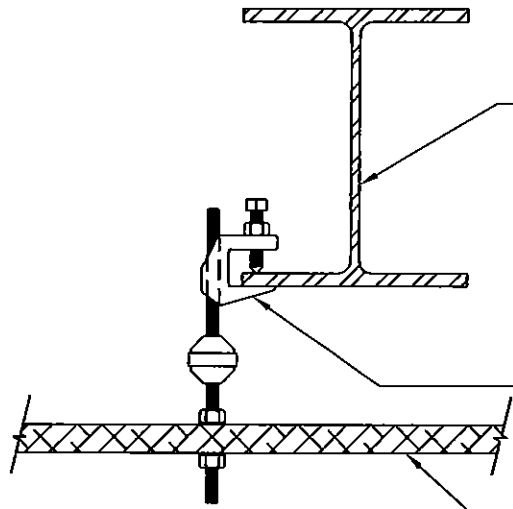


LOWER WALL AND MODULAR FLOOR SYSTEM

FIGURE R02

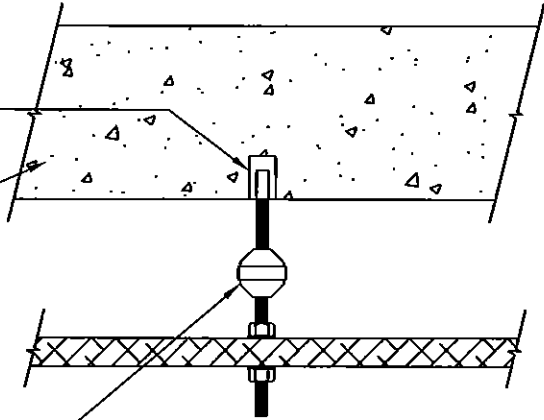
MODULAR RF SHIELD

BSS BRADEN SHIELDING
 S Y S T E M S
 9260 Broken Arrow Expressway, Tulsa, OK. 74145
 (918) 624-2888 Phone, (918) 624-2886 Fax

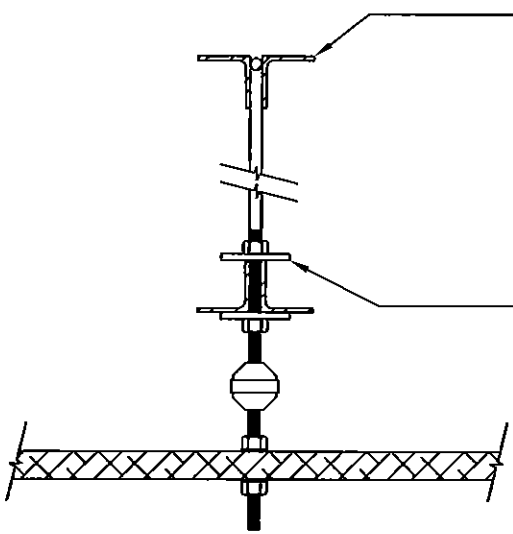


BEAM HANGER

- ROOF OR FLOOR BEAM
(NOT BY BRADEN)
- DROP IN ANCHOR
(BY BRADEN)
- CONCRETE ROOF OR FLOOR
(NOT BY BRADEN)
- BEAM CLAMP AND ROD
(BY BRADEN)
- RF CEILING PANEL
(BY BRADEN)
- ELECTRICAL ISOLATOR
(BY BRADEN)

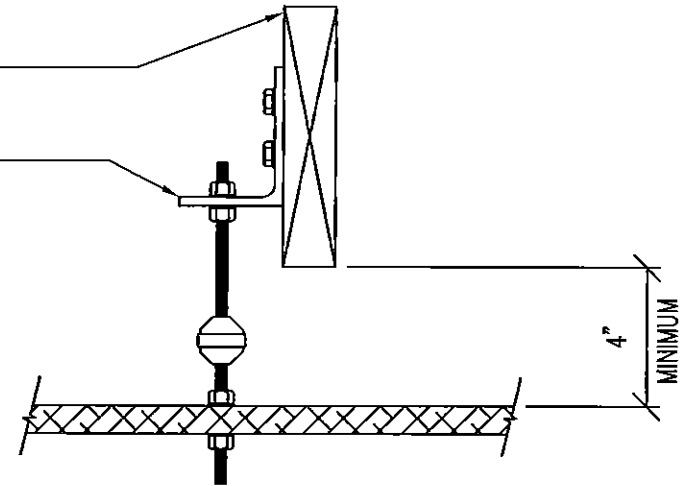


CONCRETE HANGER



BAR JOIST HANGER

- ROOF OR FLOOR BAR JOIST
(NOT BY BRADEN)
- ROOF OR FLOOR WOOD JOIST
(NOT BY BRADEN)
- CLIP ANGLE AND ROD
(BY BRADEN)
- STEEL WASHER AND ROD
(BY BRADEN)



WOOD JOIST HANGER

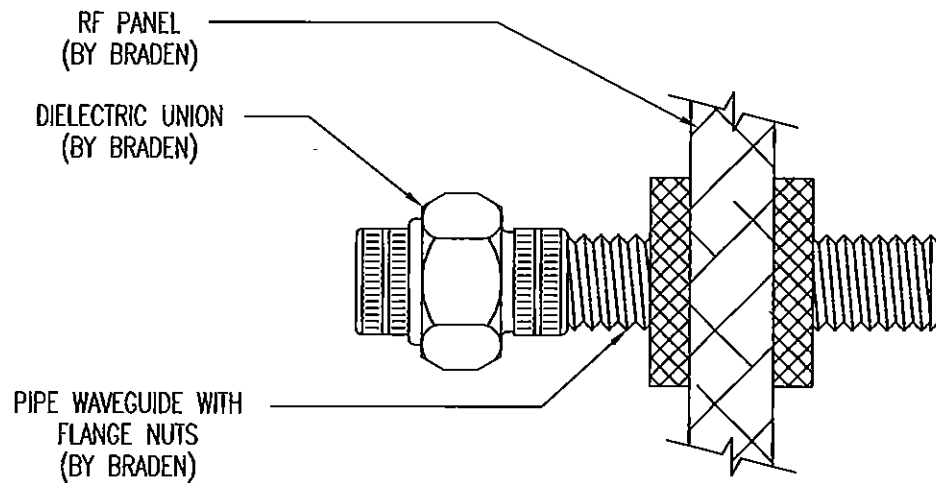
NOTE:
RF CEILING WEIGHS APPROXIMATELY 6 LBS/SF
AND CEILING HANGERS ARE ON A 48" X 60"
GRID.

RF CEILING HANGER DETAILS

MODULAR RF SHIELD

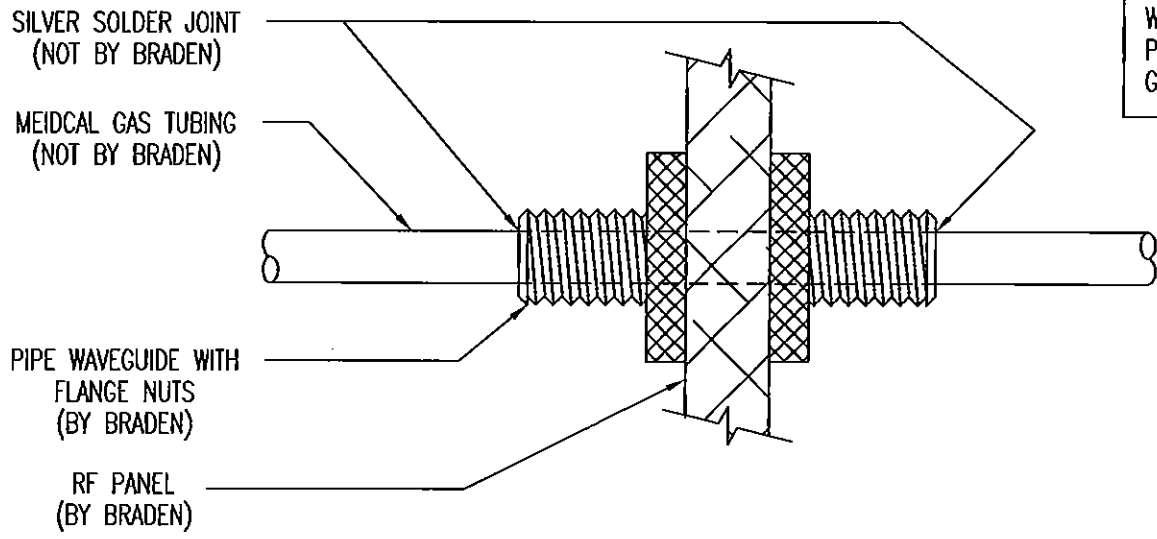
FIGURE R10

BSS BRADEN SHIELDING
S Y S T E M S
9260 Broken Arrow Expressway, Tulsa, OK. 74145
(918) 624-2888 Phone, (918) 624-2886 Fax



MECHANICAL PIPE PENETRATION

DESIGNER NOTE:
ALL WET PIPE SYSTEMS SUCH AS FIRE SPRINKLER
AND SINKS MUST BE LOCATED WITHIN THE PROXIMITY
OF THE MRI PENETRATION PANEL. THIS IS TO
MAINTAIN A SINGLE POINT GROUND.



MEDICAL GAS PIPE PENETRATION

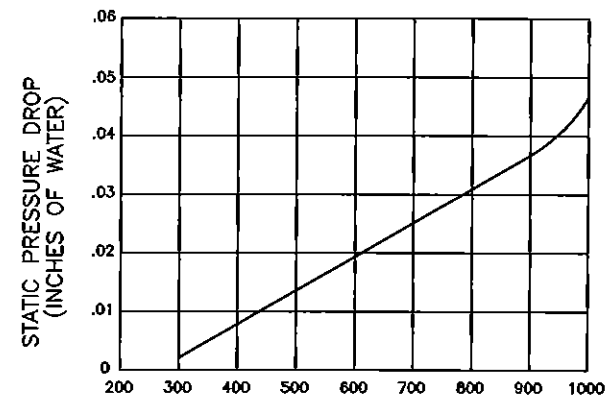
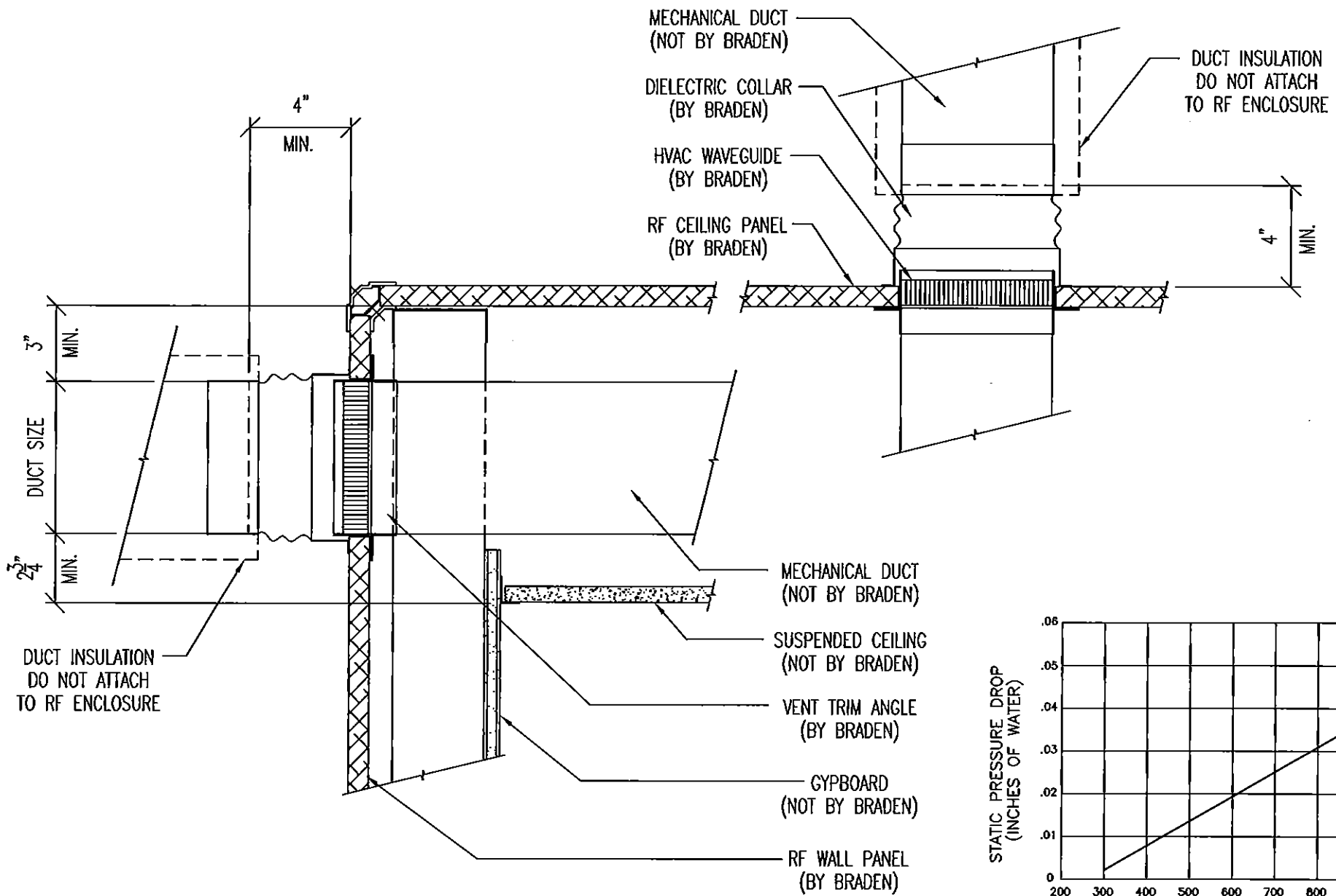
DESIGNER NOTE:
ALL MEDICAL GAS PENETRATIONS MUST BE LOCATED
WITHIN THE PROXIMITY OF THE MRI PENETRATION
PANEL. THIS IS TO MAINTAIN A SINGLE POINT
GROUND.

RF PIPE PENETRATION DETAILS

MODULAR RF SHIELD

FIGURE R11

BSS BRADEN SHIELDING
S Y S T E M S
9260 Broken Arrow Expressway, Tulsa, OK. 74145
(918) 624-2888 Phone, (918) 624-2886 Fax



VELOCITY F.P.M. FIGURE R12

RF HVAC PENETRATION DETAILS

MODULAR RF SHIELD

BSS BRADEN SHIELDING
 S Y S T E M S
 9280 Broken Arrow Expressway, Tulsa, OK. 74145
 (918) 624-2888 Phone, (918) 624-2886 Fax

NOMIN. SIZE	A	B
4" DIA.	6"	6"
6" DIA.	9"	9"
8" DIA.	12"	12"
12" DIA.	18"	18"

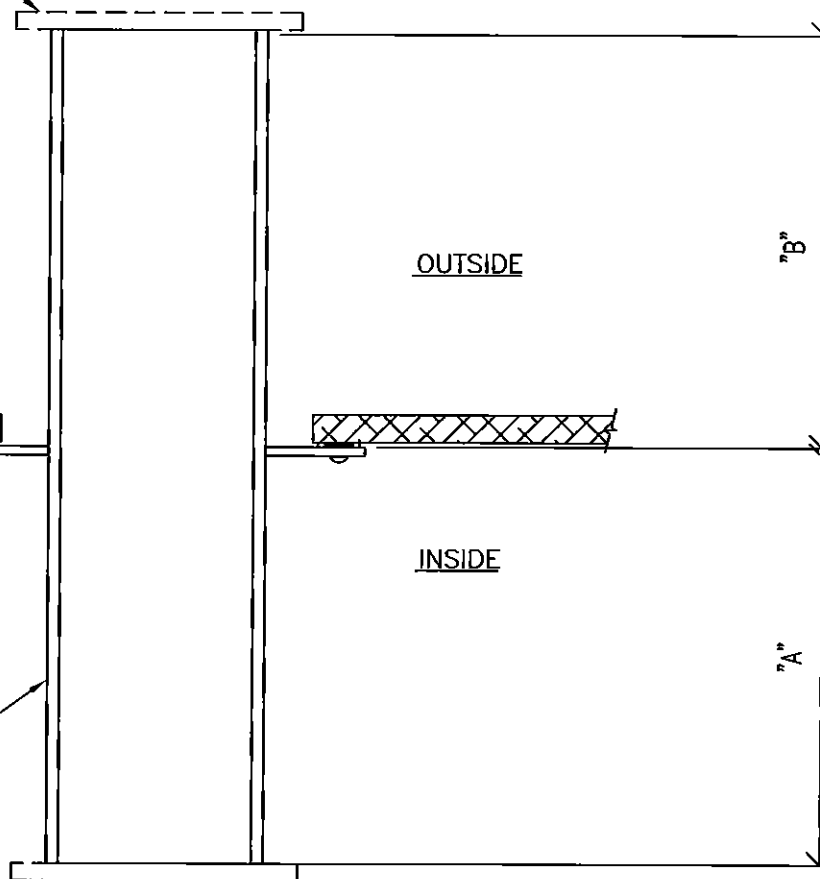
MOUNTING FLANGES AVAILABLE FOR SPECIFIC MRI SYSTEMS

RF CEILING PANEL (BY BRADEN)

1" DUMBBELL GASKET (BY BRADEN)

#14 PAN HEAD SCREWS (BY BRADEN)

CRYOGEN VENT WAVEGUIDE (BY BRADEN)



CRYOGEN VENT DETAILS

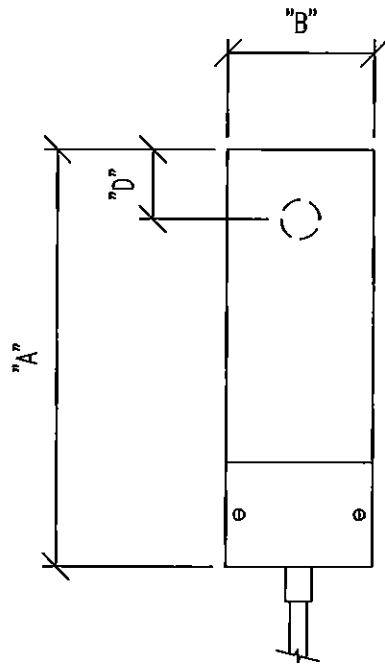
MODULAR RF SHIELD

FIGURE R13

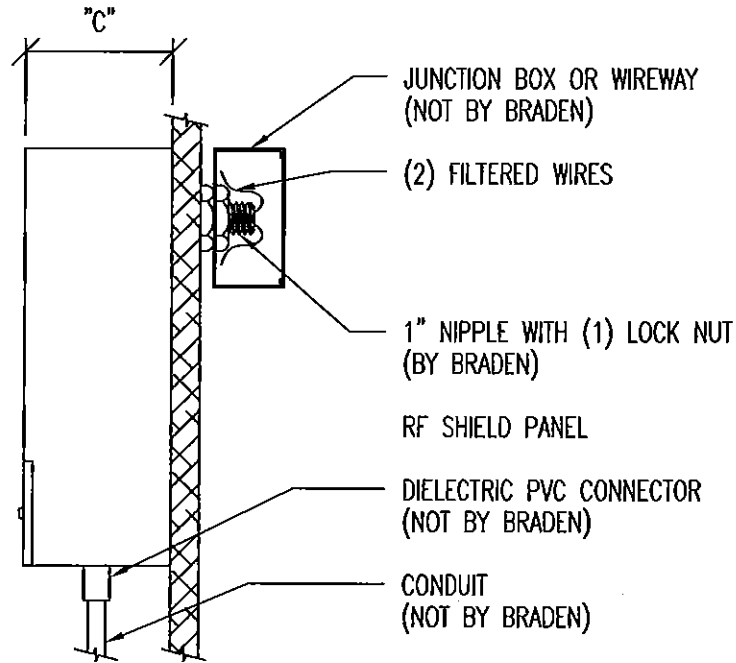
BSS BRADEN SHIELDING
S Y S T E M S

9260 Broken Arrow Expressway, Tulsa, OK. 74145
(918) 624-2888 Phone, (918) 624-2886 Fax

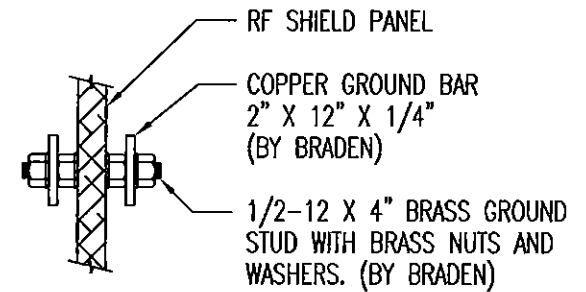
PART NO.	CURRENT RATING	FREQUENCY	MAXIMUM VOLTAGE	A	B	C	D	COMMENTS	USE
EAG002AA20	2 X 30A (2 WIRE)	0-60 Hz	277 VAC	12"	4.25	4.25	2"	U.L. LISTED #10 WIRE,	LIGHTING, OUTLETS, MAGENT STOP, FAN SWITCH
EAG002AA18	2 X 12A (2 WIRE)	0-60 Hz	120 VDC	24"	6"	6"	2"	U.L. LISTED #10 WIRE	LUTRON DIMMER SYSTEM
EAG002AA02	2 X .15A (2 WIRE)	0-60 Hz	250VAC 600VDC	6 3/4"	3 1/2"	2 1/2"	1 1/4"		HIGH RATE DATA
EAG002AA03	2 X 1A (2 WIRE)	0-60 Hz	120VAC 400VDC	9"	3 1/2"	2 1/2"	1 1/4"		FIRE ALARM AND SMOKE DETECTOR
EAG002AA04	2 X .5A (2 WIRE)	0-60 Hz	120VAC 400VDC	6 3/4"	3 1/2"	2 1/2"	1 1/4"		TELEPHONE
EAG002AA16	2 X .5A (2 WIRE)	0-60 Hz	125VAC 400VDC	9"	3 1/2"	2 1/2"	1 1/4"		HIGH RATE DATA 9.6.Kb
EAG002AA17	2 X .5A (2 WIRE)	0-60 Hz	30VAC 100VDC	9"	3 1/2"	2 1/2"	1 1/4"		GENERAL COMMUNICATION



OUTSIDE



INSIDE



GROUND STUD DETAIL

FILTER SPECIFICATIONS:

PART NUMBER	INSERTION LOSS
EAG002AA20	100db FROM 10Mhz TO 10Ghz
EAG002AA18	100db FROM 14Khz TO 10Ghz
EAG002AA02	100db FROM 100Khz TO 10Ghz
EAG002AA03	100db FROM 14Khz TO 10Ghz
EAG002AA04	100db FROM 14Khz TO 10Ghz
EAG002AA16	100db FROM 100Khz TO 10Ghz
EAG002AA17	100db FROM 14Khz TO 10Ghz

MEASURED PER MIL-STD-220A

FIGURE R14

ELECTRICAL FILTER DETAILS

MODULAR RF SHIELD

BSS BRADEN SHIELDING
S Y S T E M S

9260 Broken Arrow Expressway, Tulsa, OK. 74145
(918) 624-2888 Phone, (918) 624-2886 Fax