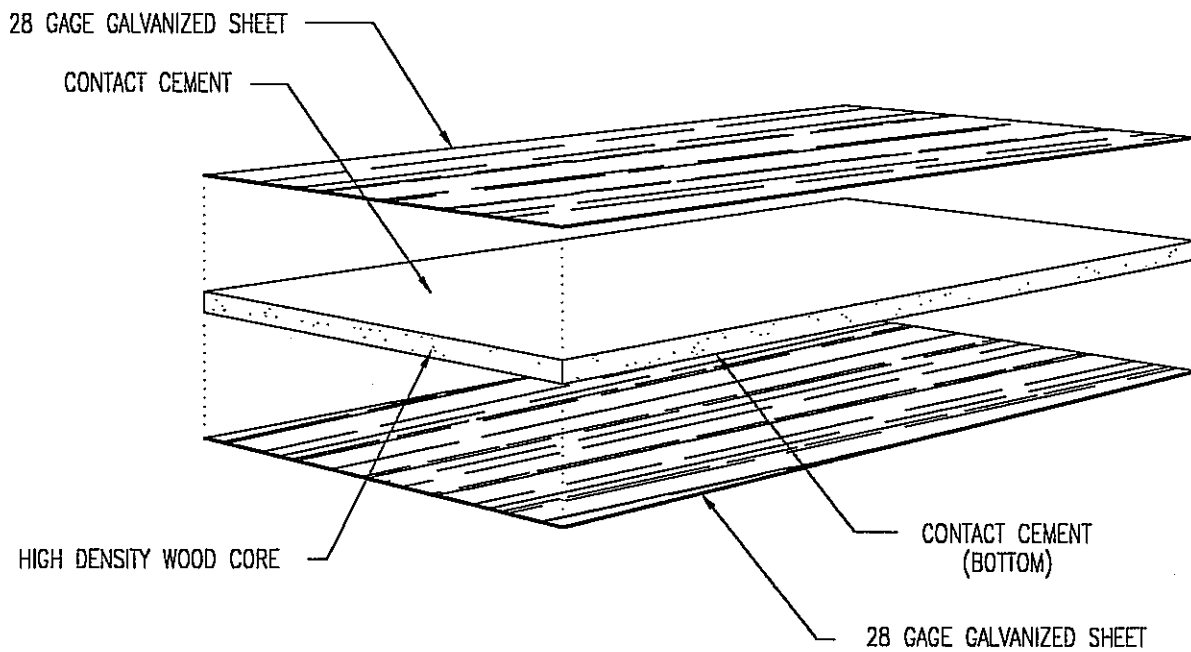


TYPICAL RF ENCLOSURE



A.01

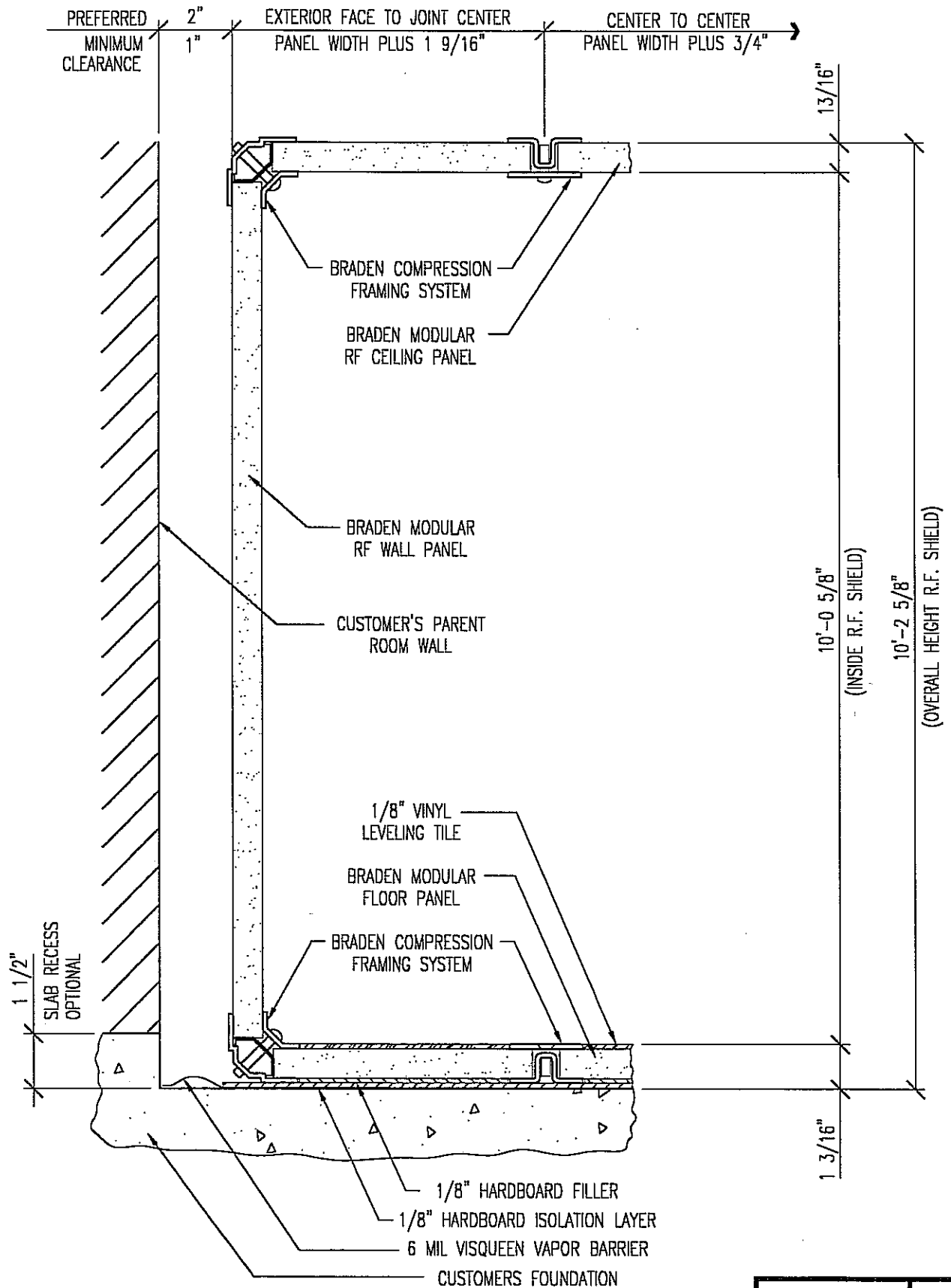


TYPICAL PANEL SIZES		
PART NUMBER	WIDTH	LENGTH
PAC005AA01	47 1/4"	96"
PAC005AA02	47 1/4"	120"

TYPICAL MODULAR RF PANEL



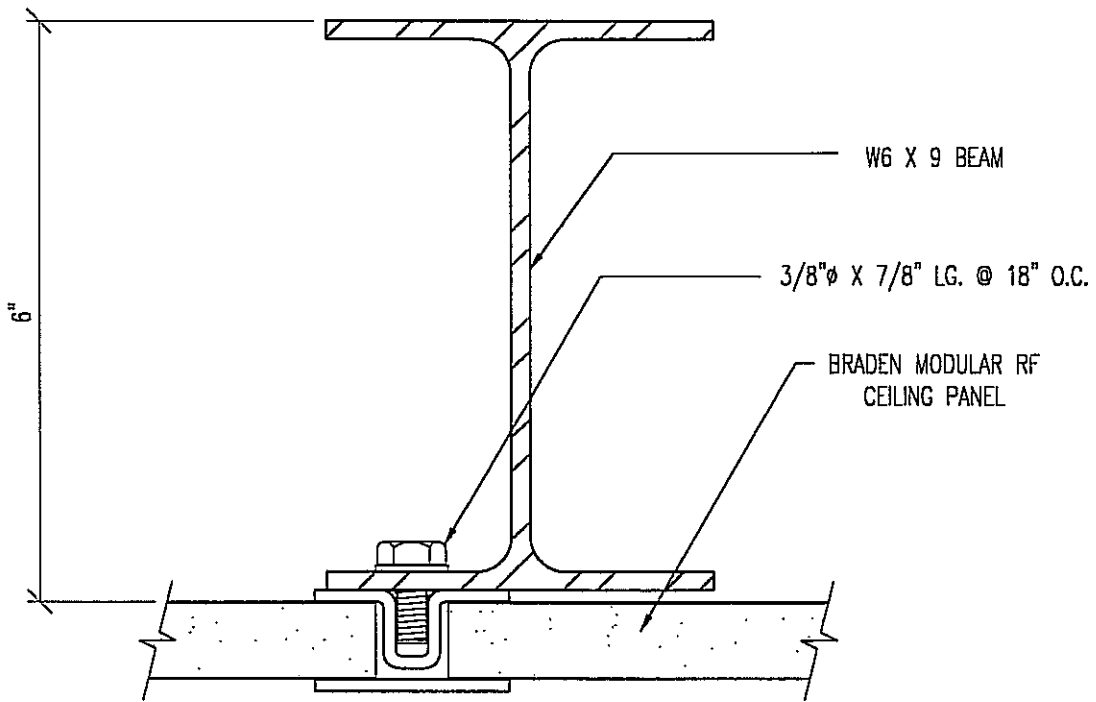
A02



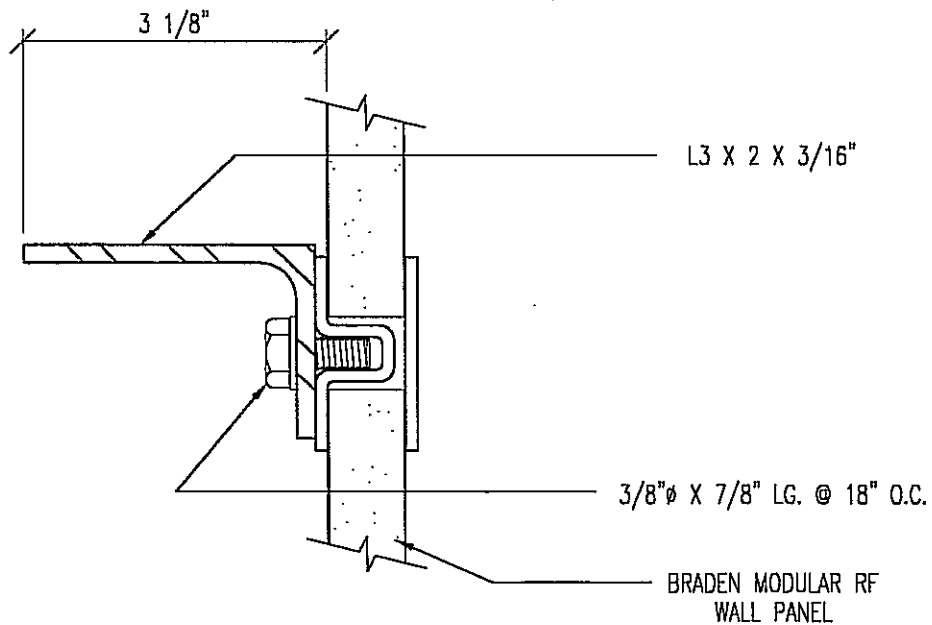
PANEL FRAMING SYSTEM



A03



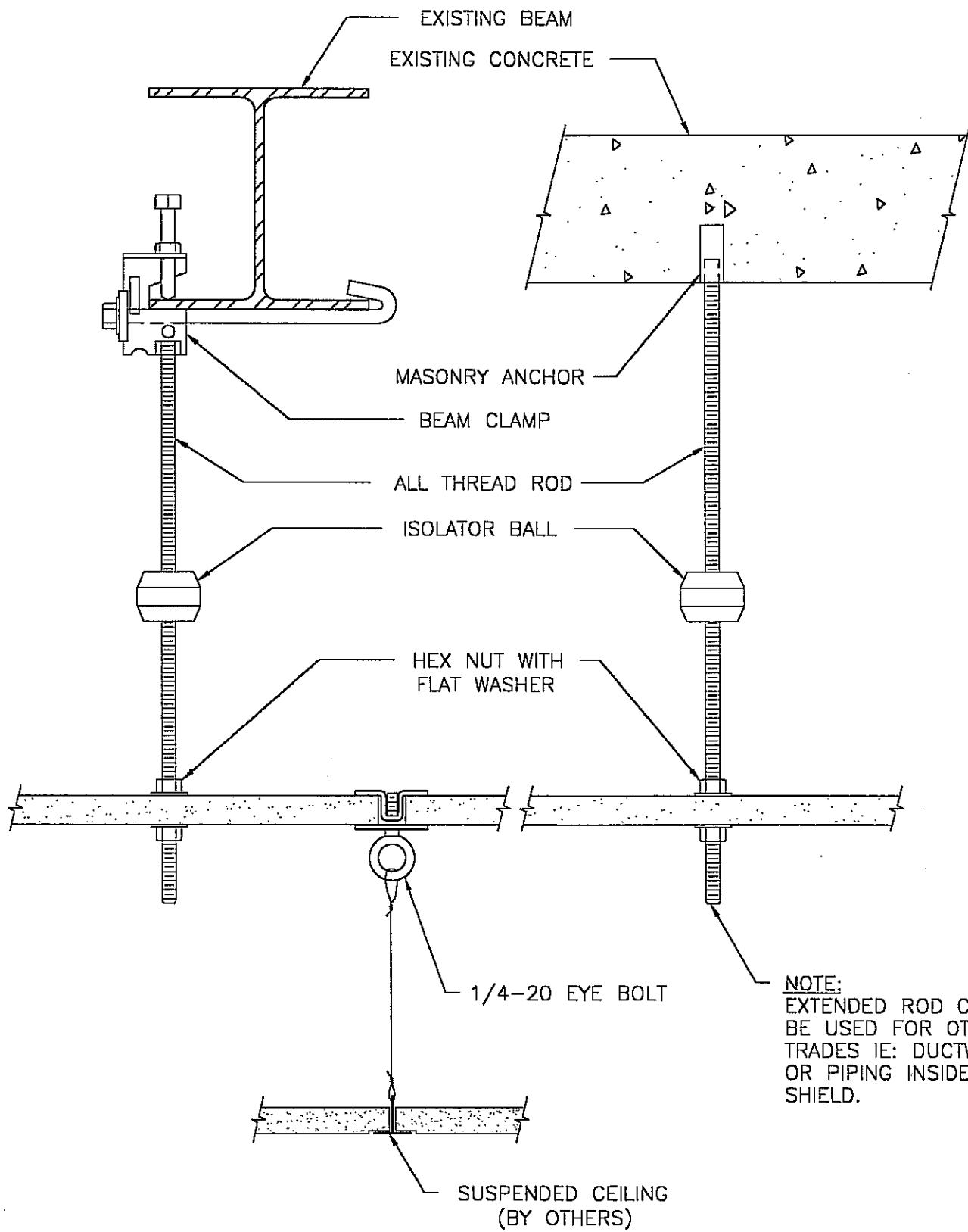
CEILING SUPPORT
(FOR ROOMS WITH SPAN OVER 12' WIDE)



WALL SUPPORT
(FOR ROOMS OVER 12' HIGH)

FREE STANDING STRUCTURAL SYSTEM

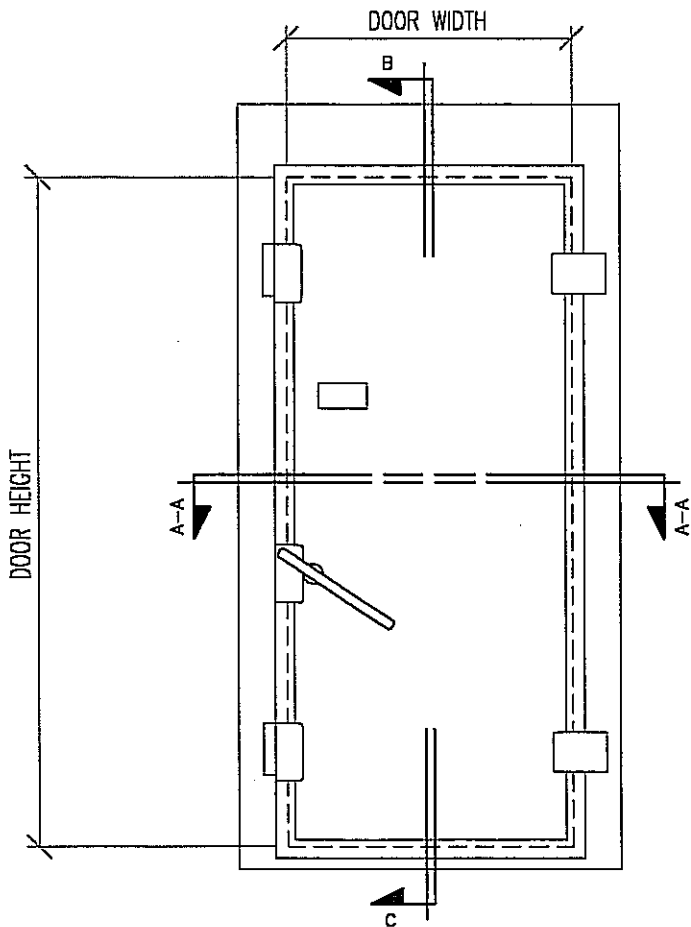




NOTE:
 EXTENDED ROD CAN
 BE USED FOR OTHER
 TRADES IE: DUCTWORK
 OR PIPING INSIDE THE
 SHIELD.

STRUCTURAL CEILING SUPPORT
ATTACHMENTS TO BUILDING STRUCTURE

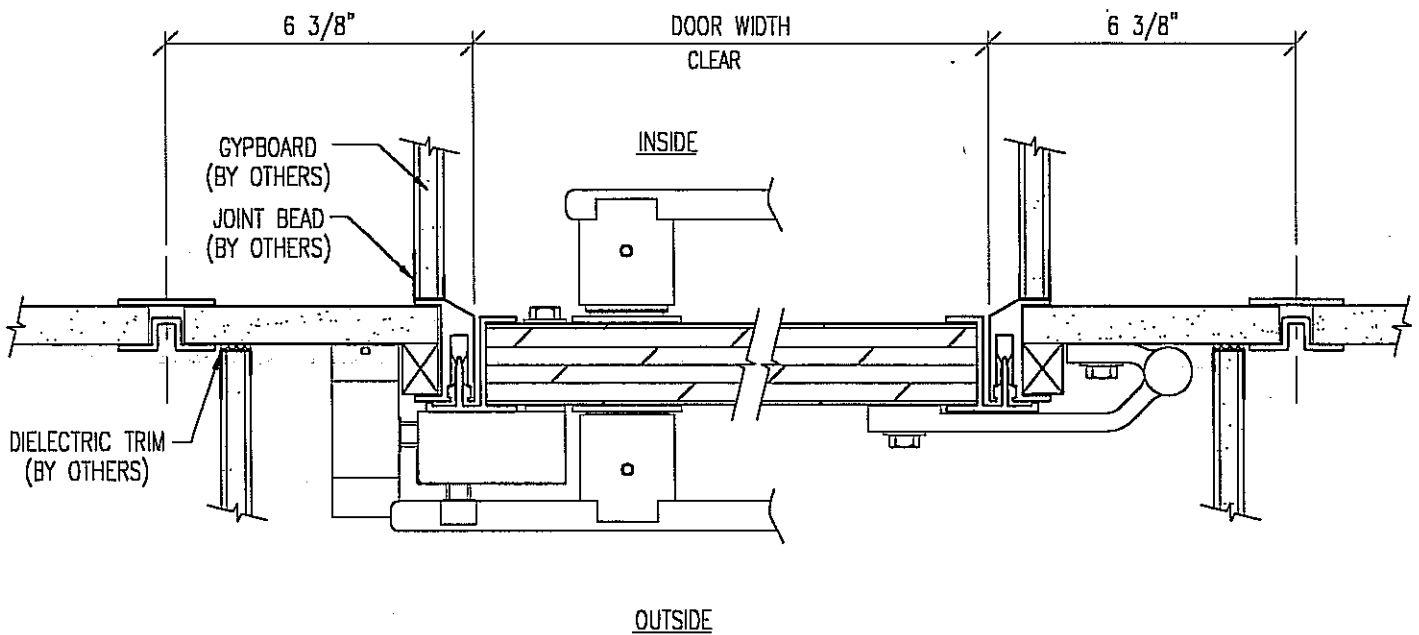




STANDARD DOOR SIZES	
WIDTH	HEIGHT
36"	84"
42"	84"
48"	84"
36"	96"
42"	96"
48"	96"

DOORS ARE AVAILABLE IN:
 INSWING OR OUTSWING
 LEFT HAND OR RIGHT HAND
 RAISED OR FLUSH SILL

DOOR ELEVATION

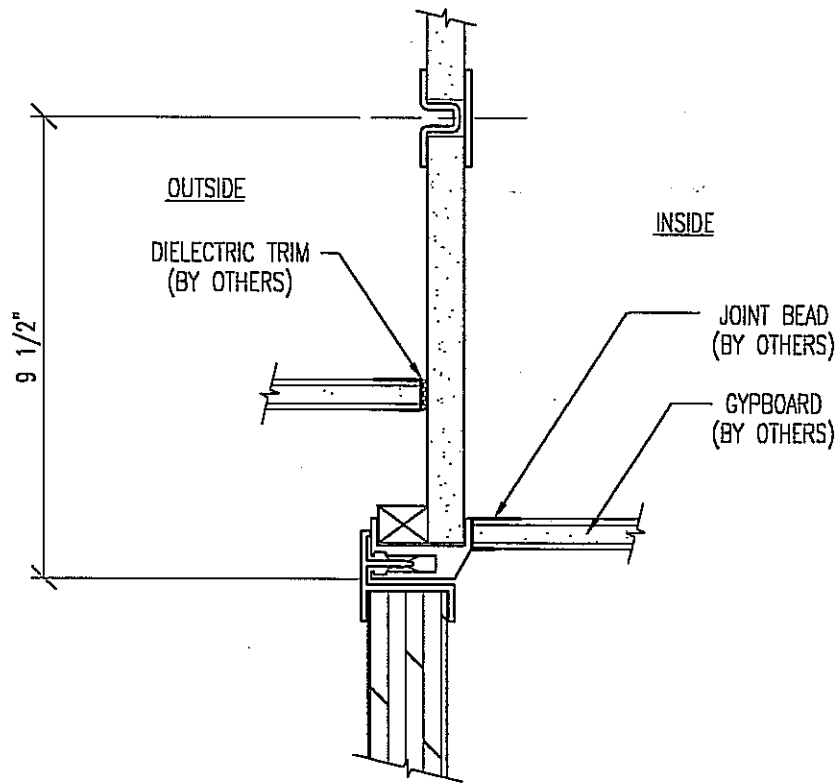


CROSS SECTION A-A

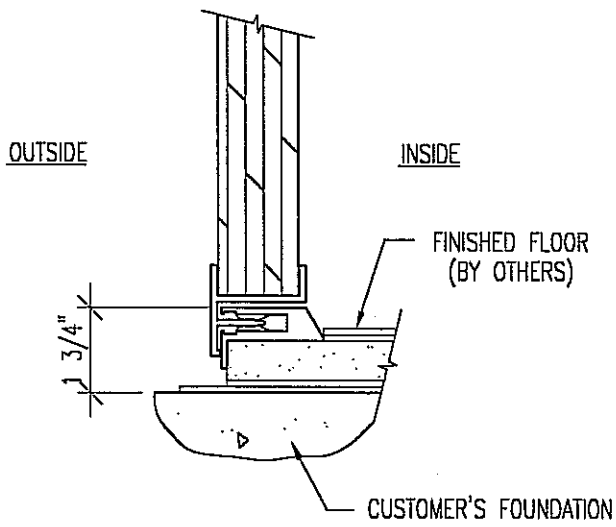
RCM DOOR DETAILS



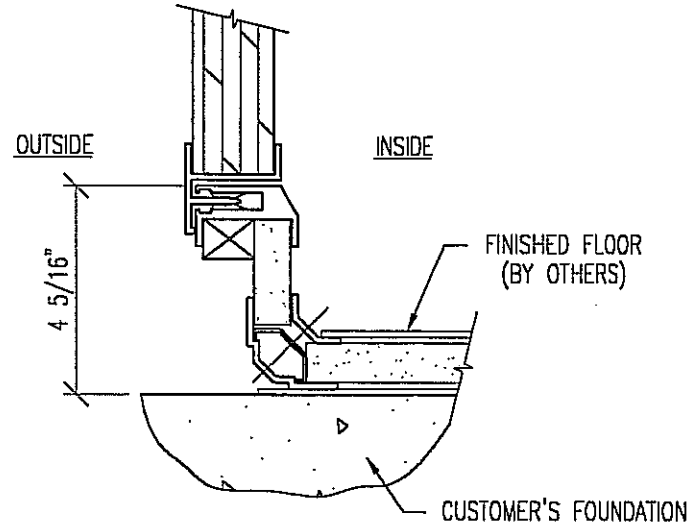
A06



SECTION B



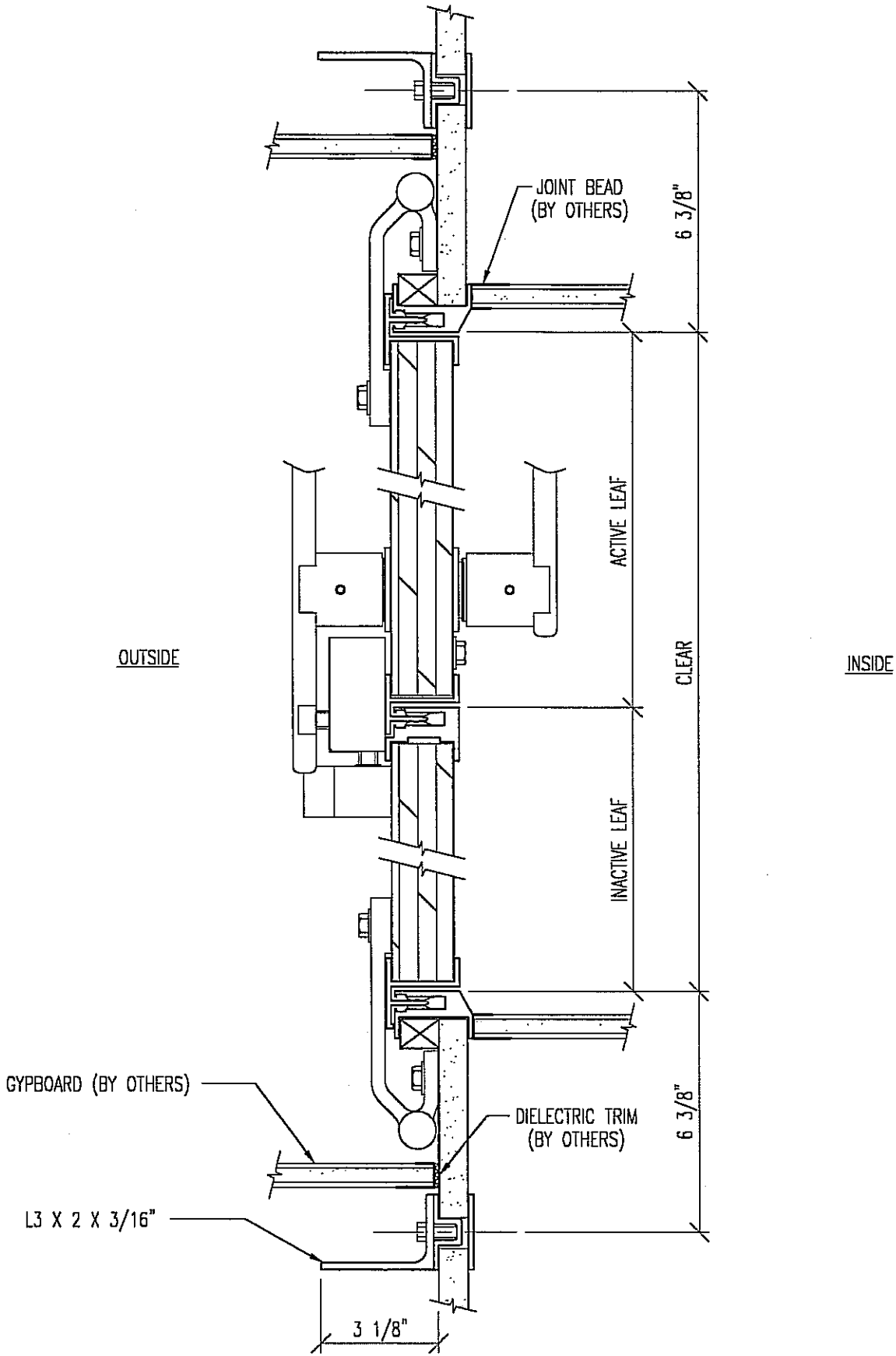
SECTION C
(FLUSH SILL)



SECTION C
(RAISED SILL)

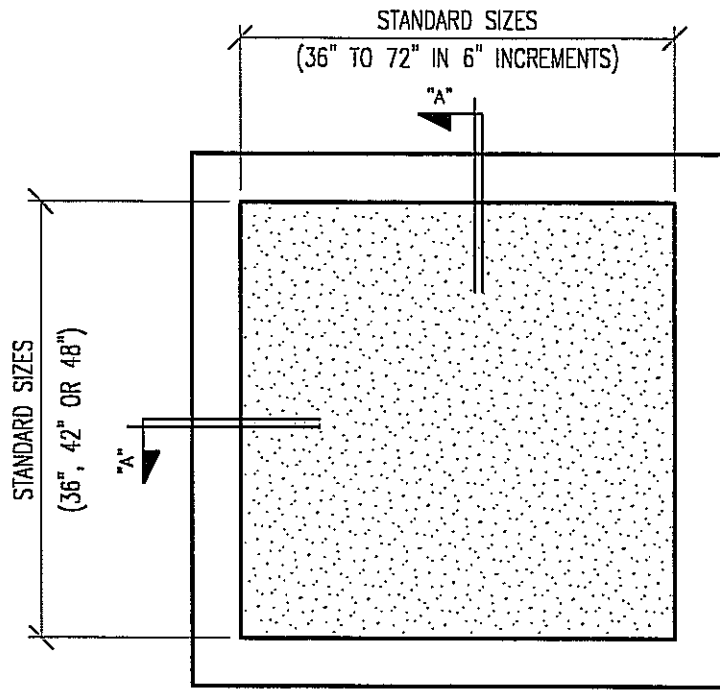
RCM DOOR DETAILS

	<p>A07</p>
---	------------



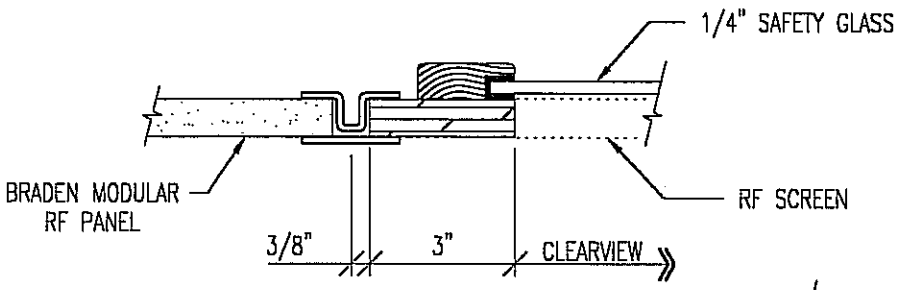
BRADEN RCM III DOUBLE DOOR

	<p>A08</p>
---	------------

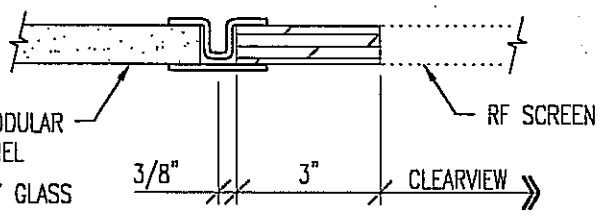


NOTE:
NON-STANDARD SIZES
ARE AVAILABLE.

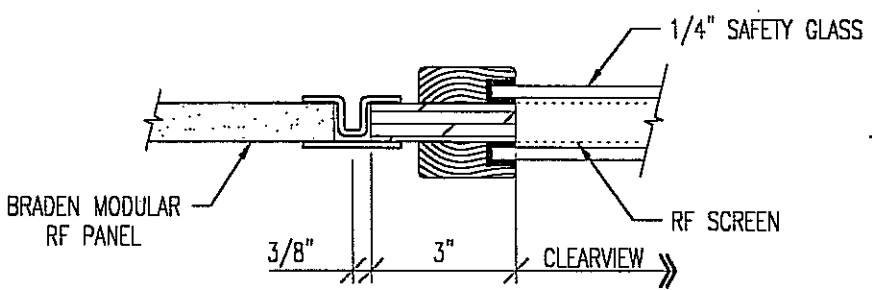
VIEW WINDOW - ELEVATION



SECTION "A" - SINGLE GLAZED



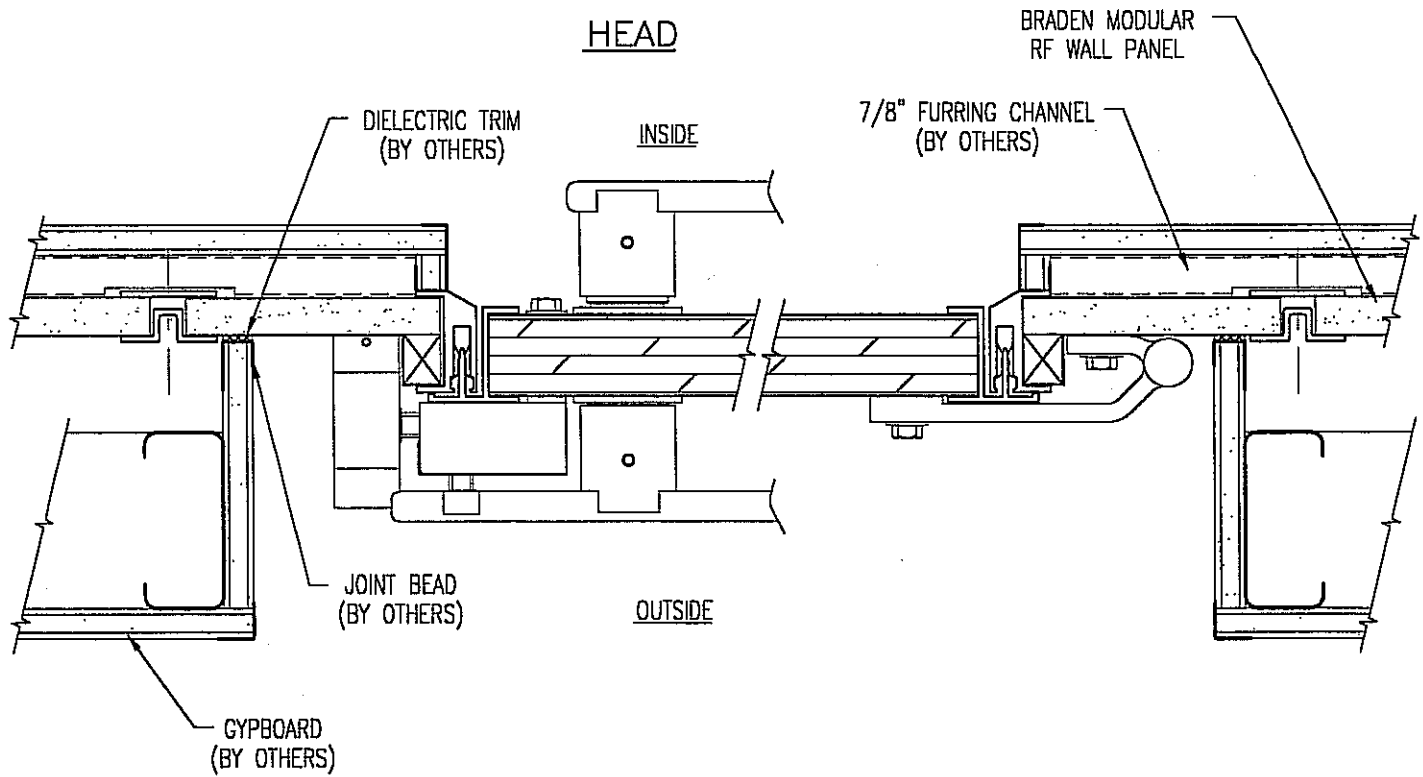
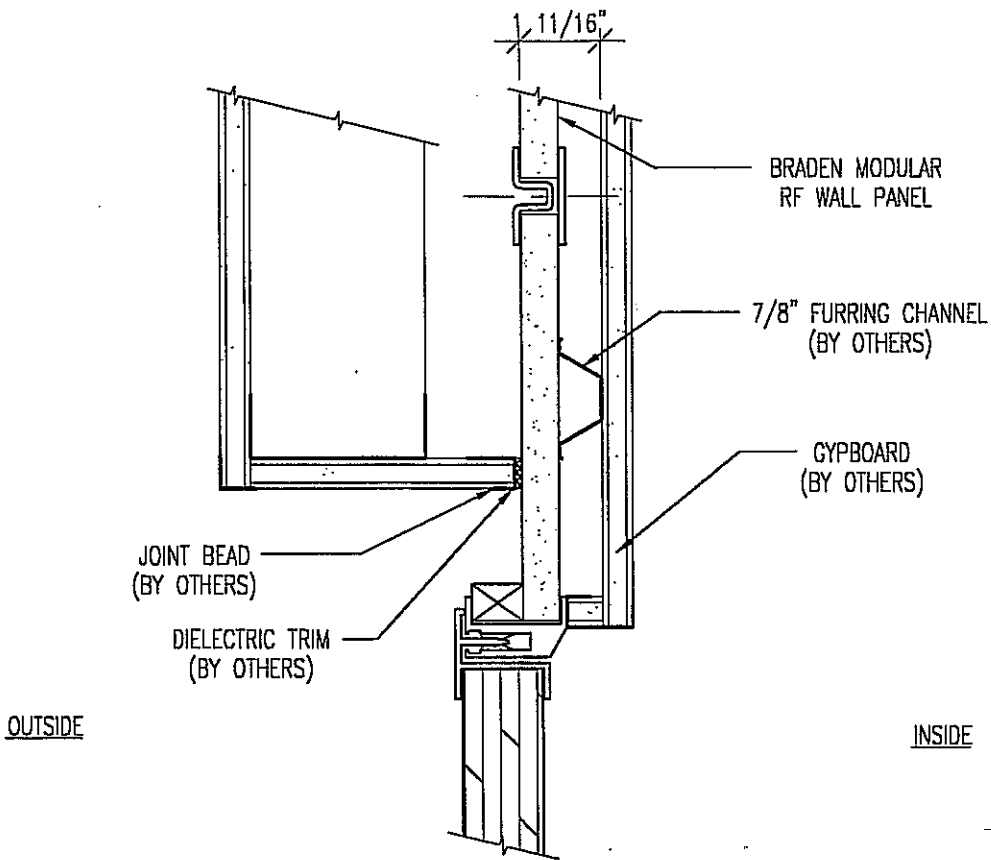
SECTION "A" - VIEW WINDOW



SECTION "A" - DOUBLE GLAZED

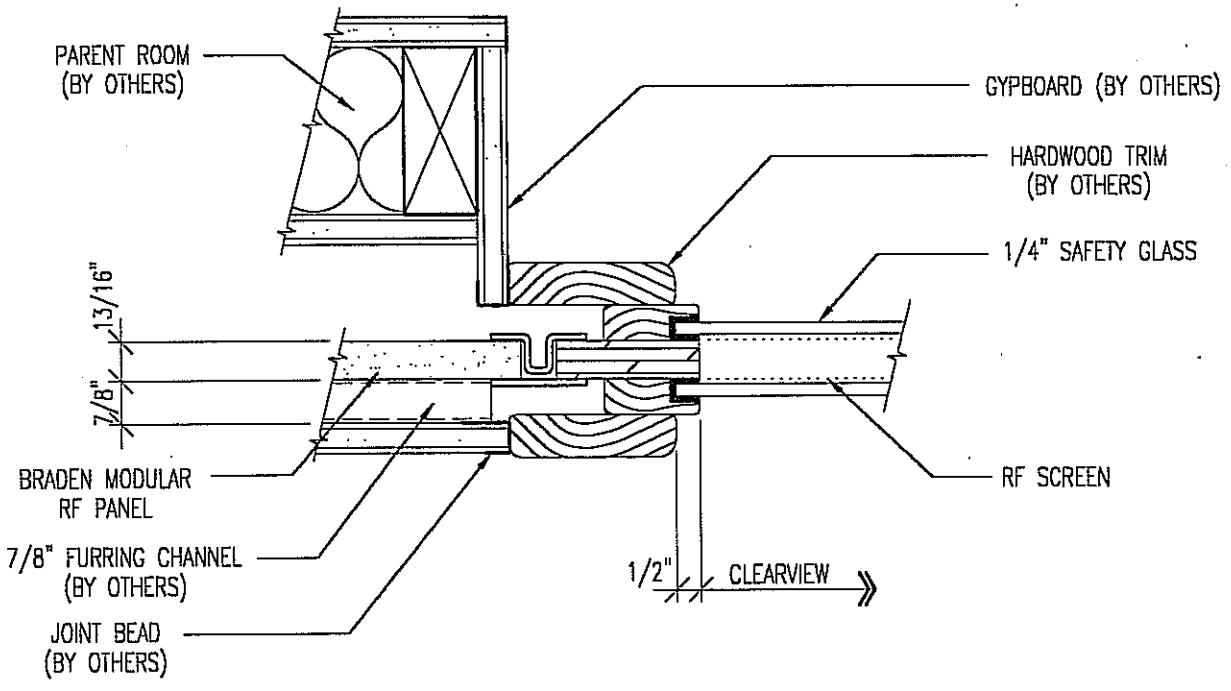
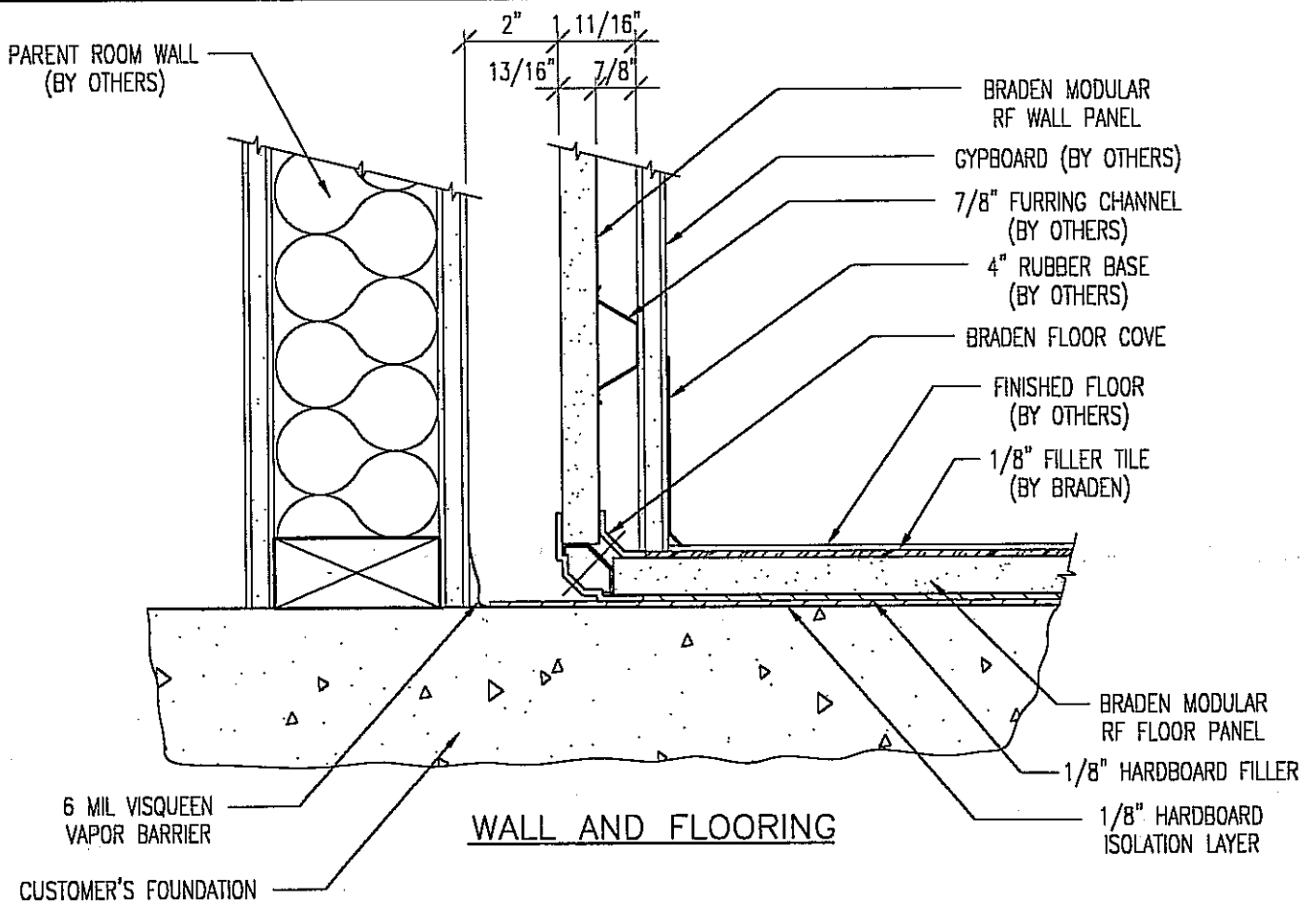
RF VIEW WINDOW DETAILS

	<p>A10</p>
--	------------



FRAMING AND TRIMMING
7/8" FURRING CHANNEL

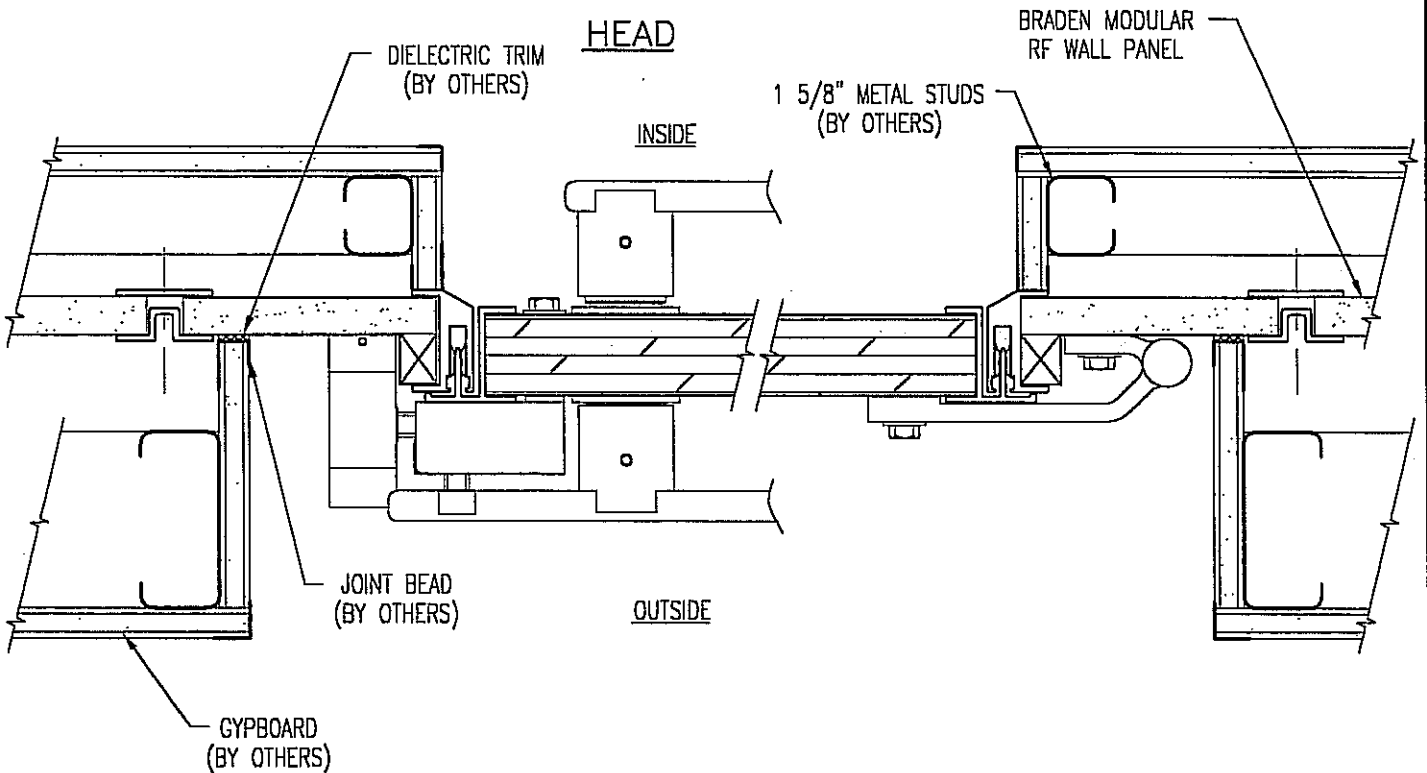
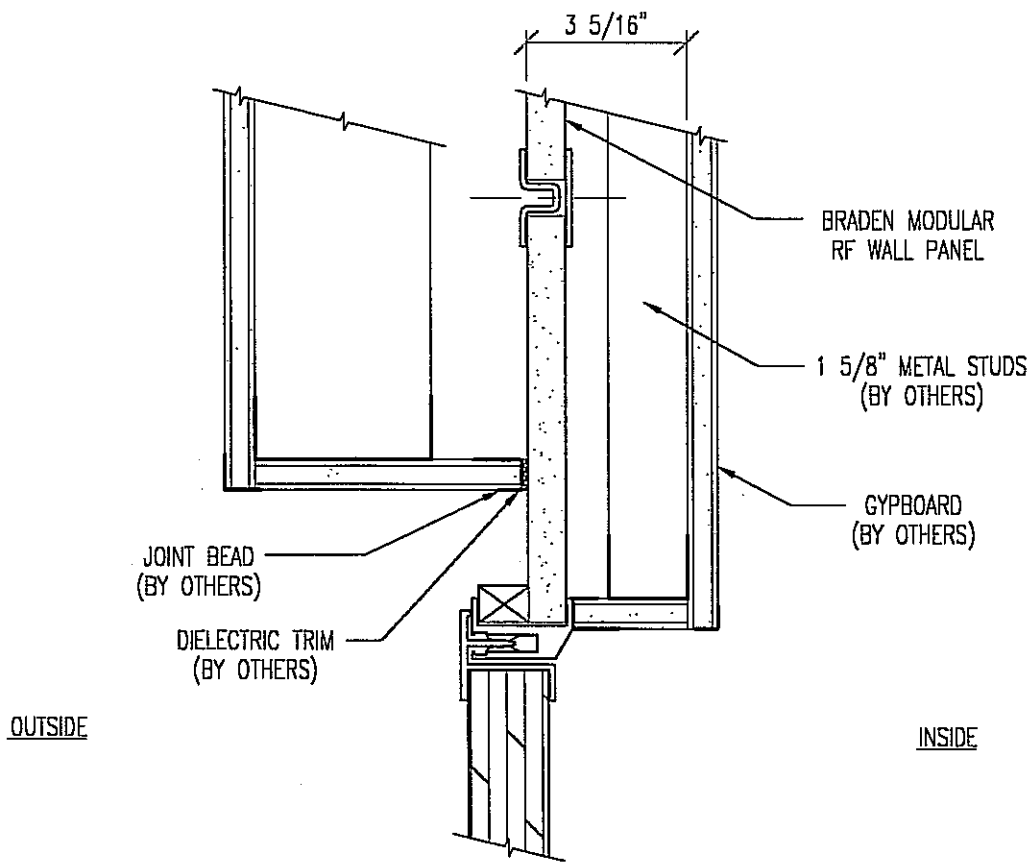




WINDOW

FRAMING AND TRIMMING
7/8" FURRING CHANNEL

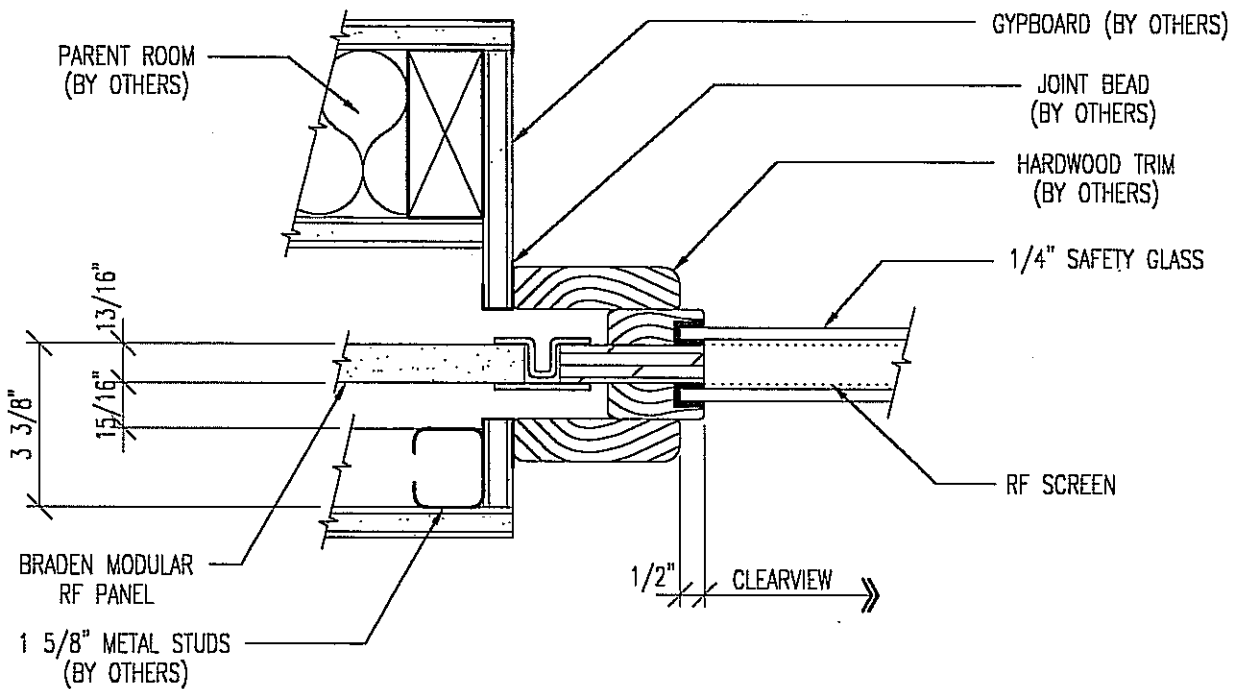
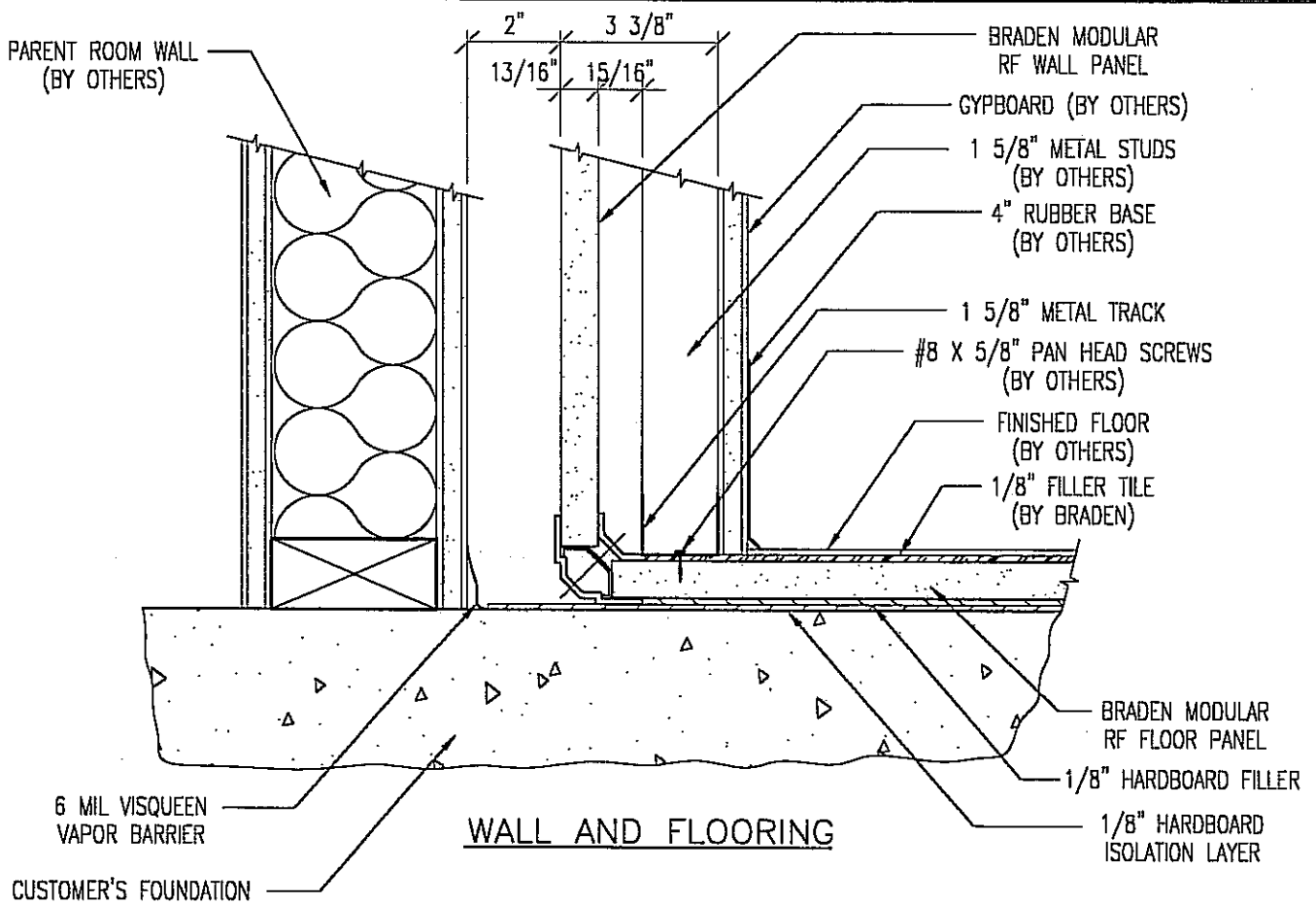
	A12
---	-----



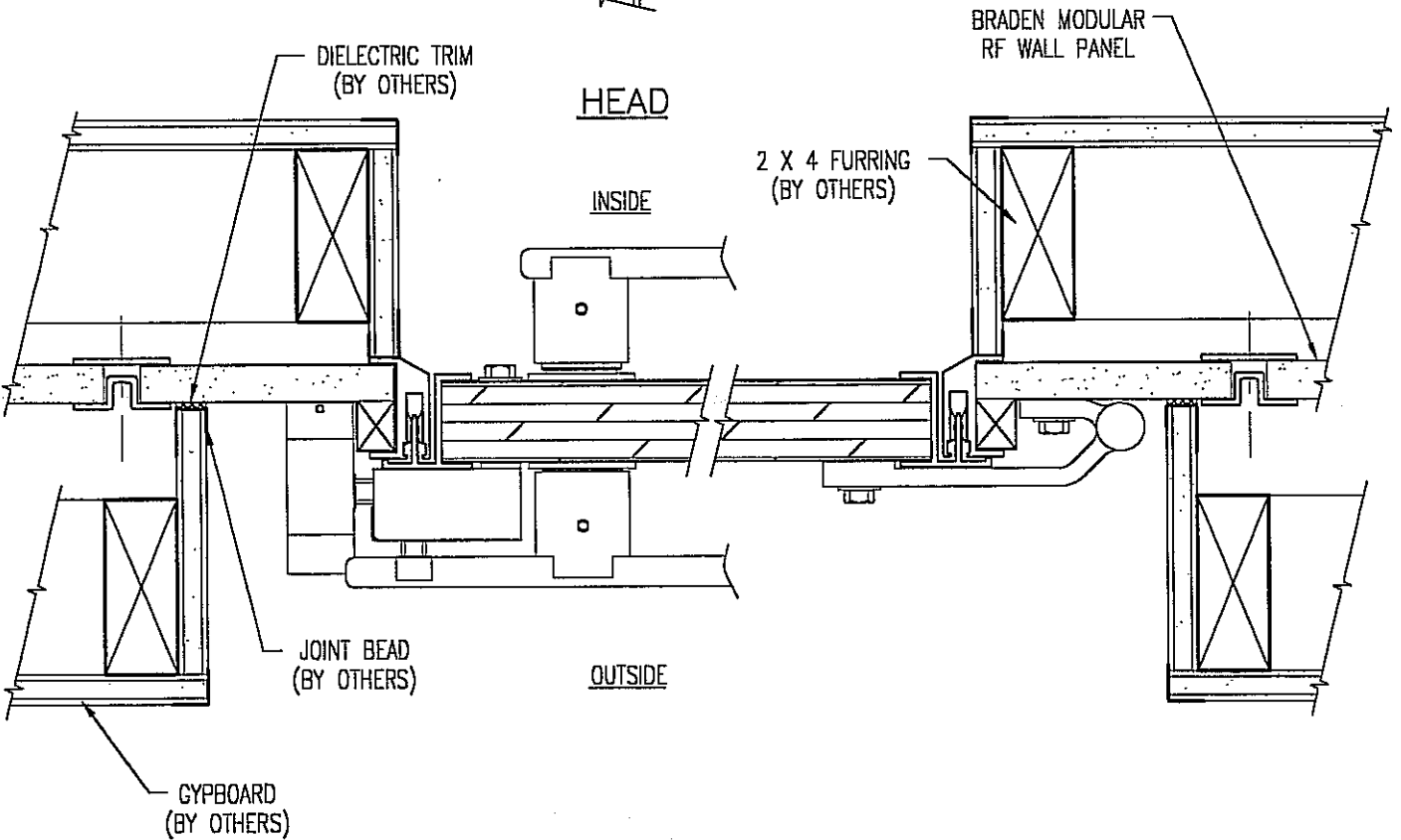
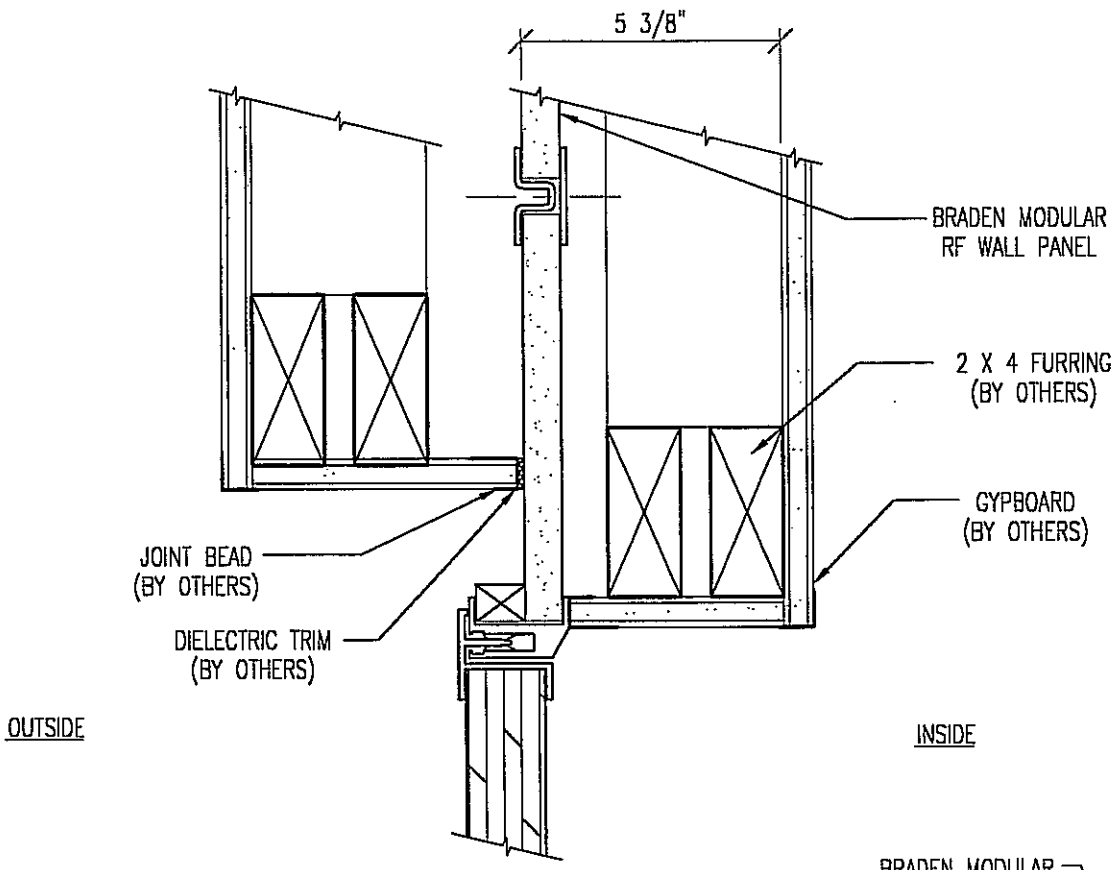
JAMB

FRAMING AND TRIMMING
1 5/8" METAL STUDS



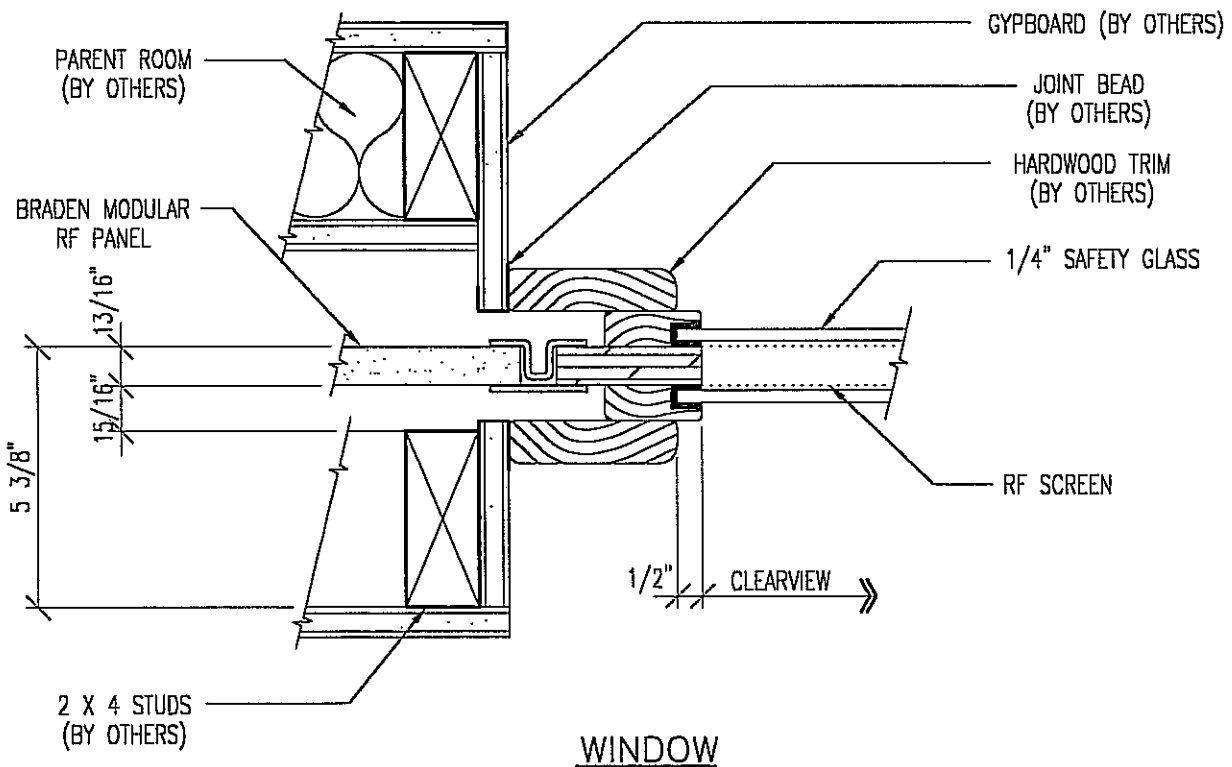
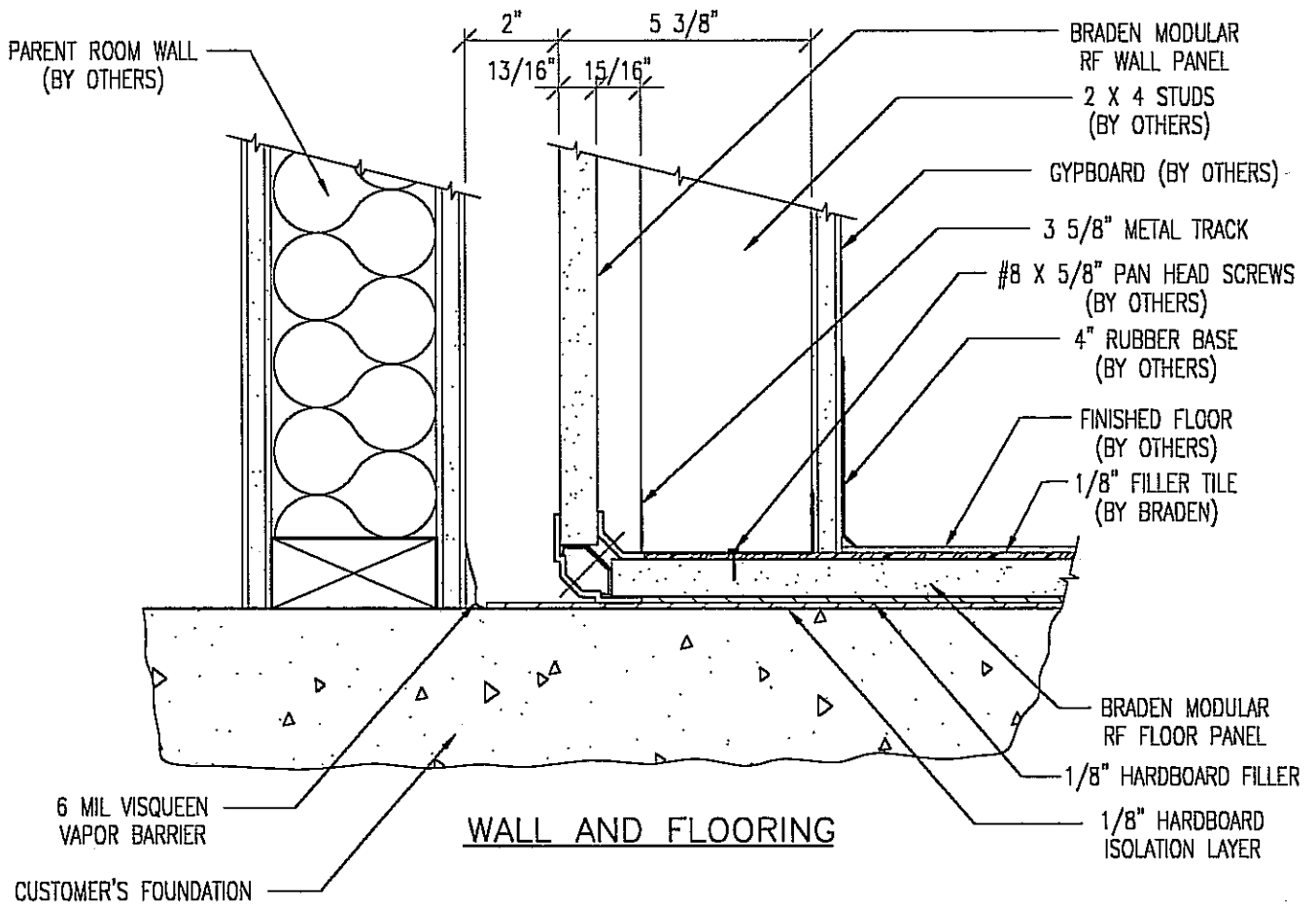


FRAMING AND TRIMMING
1 5/8" METAL STUDS

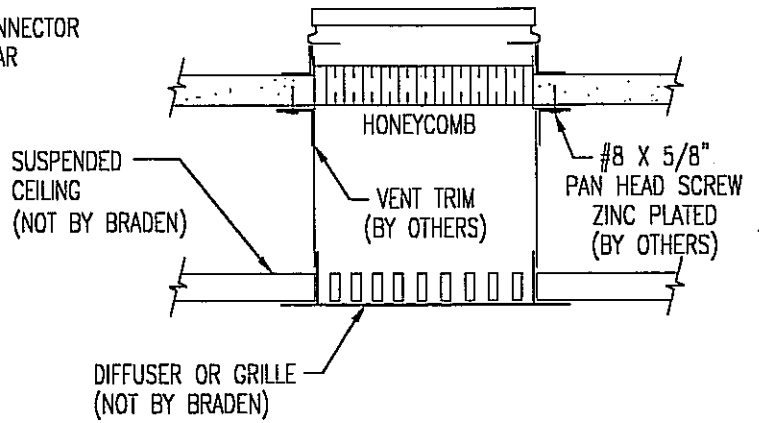
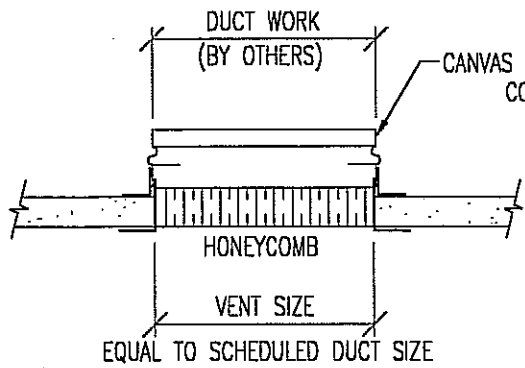


FRAMING AND TRIMMING
2 X 4 FURRING

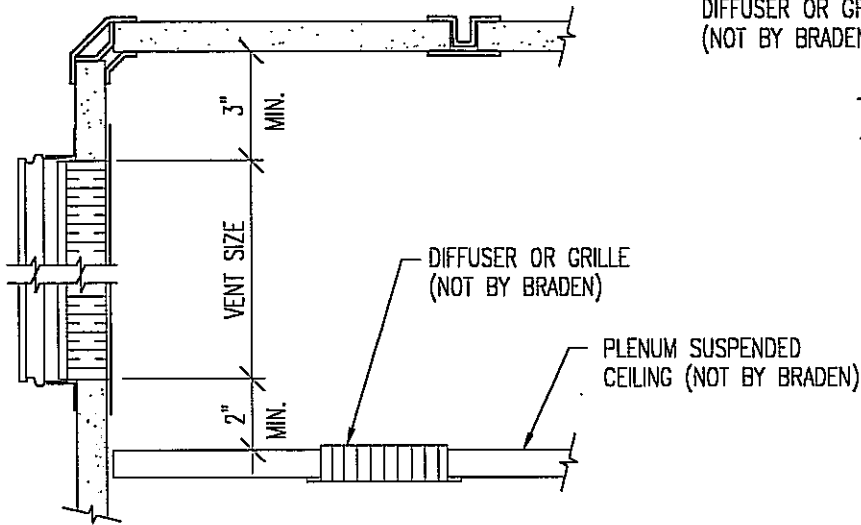
	<p>A15</p>
---	------------



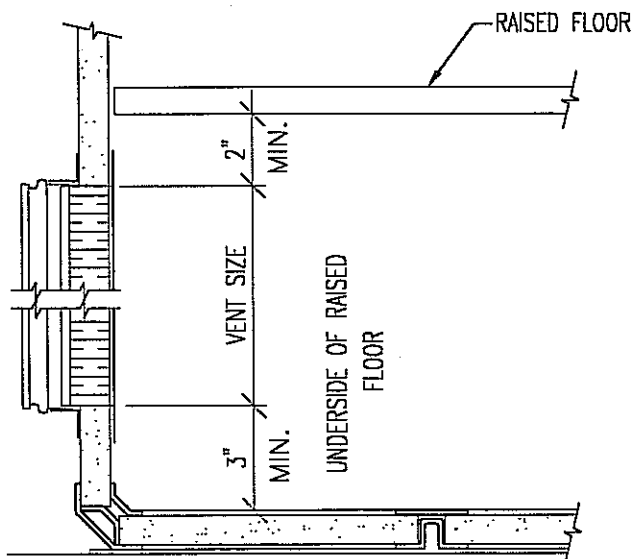
FRAMING AND TRIMMING
2 X 4 STUDS



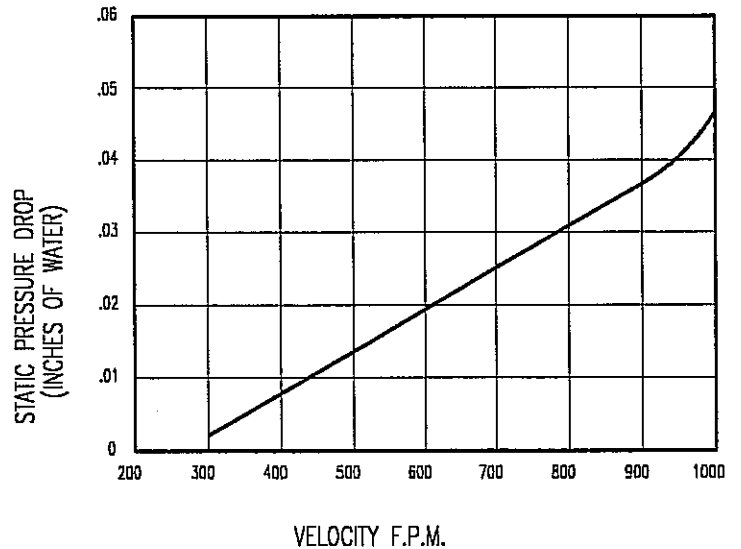
WAVEGUIDE VENT AT SUSPENDED CEILING



WAVEGUIDE VENT AT PLENUM



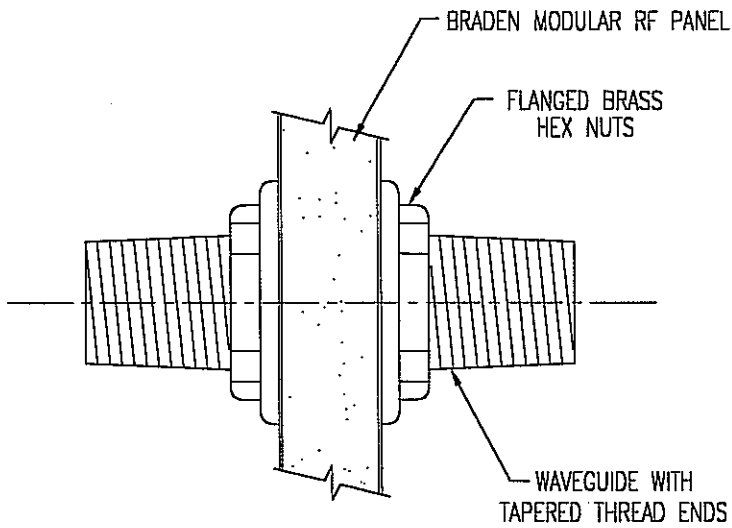
WAVEGUIDE VENT AT RAISED FLOOR



WAVGUIDE VENT (HVAC)

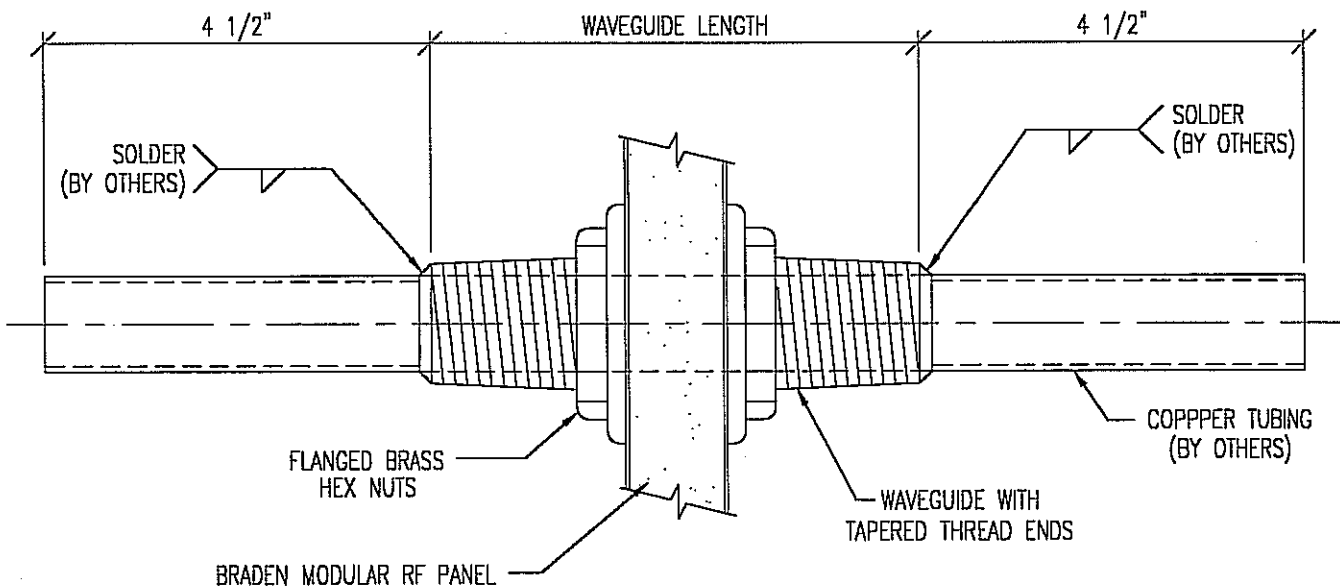


A17



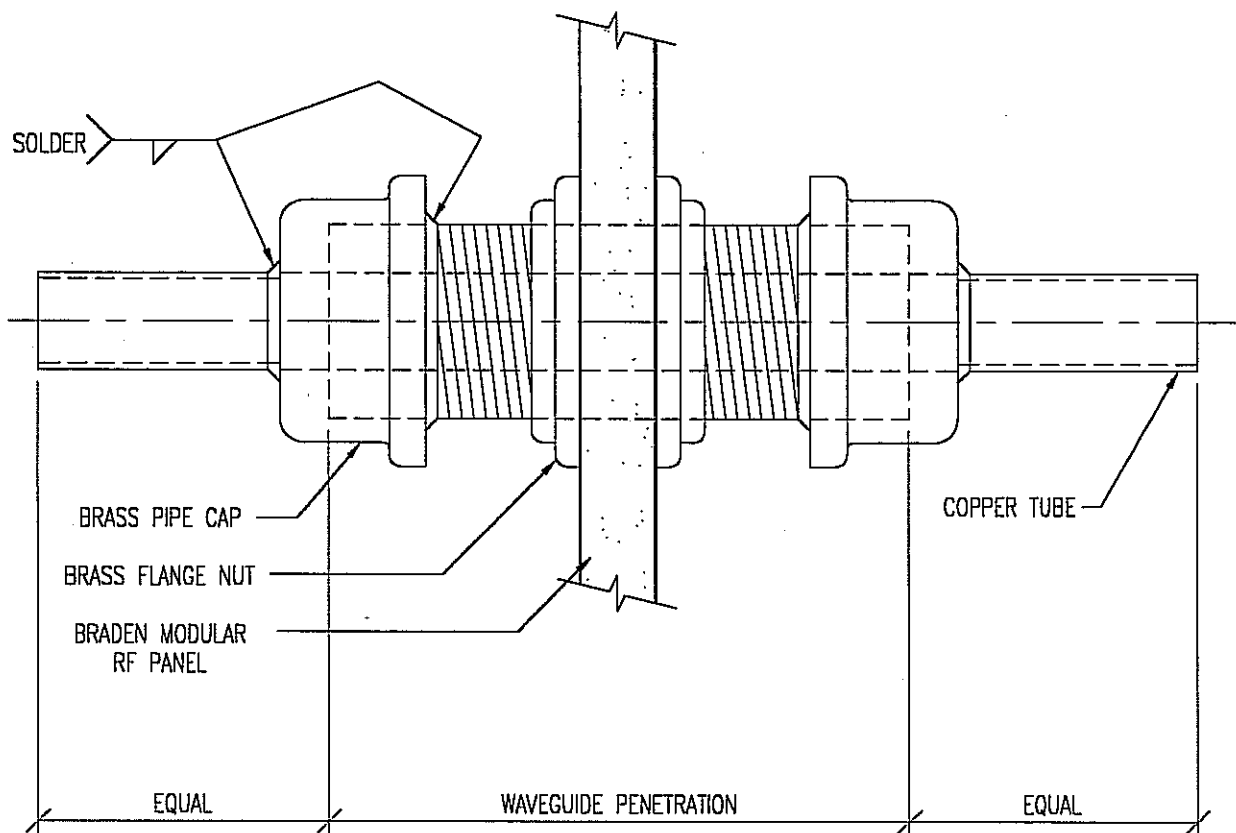
THREADED TYPE

PART NUMBER	NOMINAL PIPE SIZE	LENGTH
WPA001AA01	3/8"	4"
WPA001AA02	1/2"	4"
WPA001AA03	3/4"	4"
WPA001AA04	1"	4"
WPA001AA05	1 1/4"	4 1/2"
WPA001AA06	1 1/2"	5"
WPA001AA07	2"	6"
WPA001AA08	2 1/2"	8"
WPA001AA09	3"	9"
WPA001AB01	4"	12"



SOLDERED TYPE

WAVEGUIDE PART NO.	WAVEGUIDE NOMINAL SIZE	NOMINAL COPPER TUBING SIZE	WAVEGUIDE LENGTH
WPA001AA02	1/2"	1/2"	4"
WPA001AA11	1"	3/4"	4"

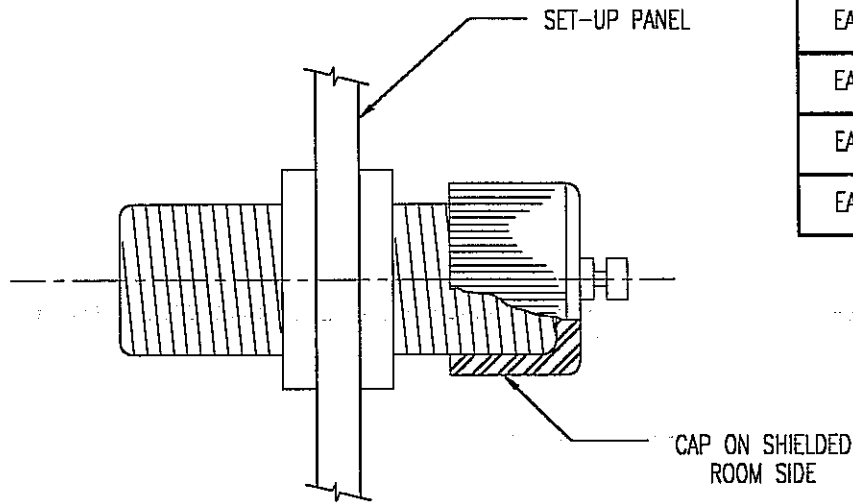


COPPER TUBE	WAVEGUIDE PENETRATION	BRASS PIPE CAP
3/8" X 14"	1 1/4" X 6"	1 1/4"
1/2" X 14"	1 1/2" X 6"	1 1/2"
3/4" X 14"	1 1/2" X 6"	1 1/2"
1" X 14"	2" X 6"	2"
1 1/4" X 14"	2" X 6"	2"
1 1/2" X 16"	2 1/2" X 8"	2 1/2"
2" X 17"	3" X 9"	3"

ISOLATED CONDENSATE LINE - SOLDER



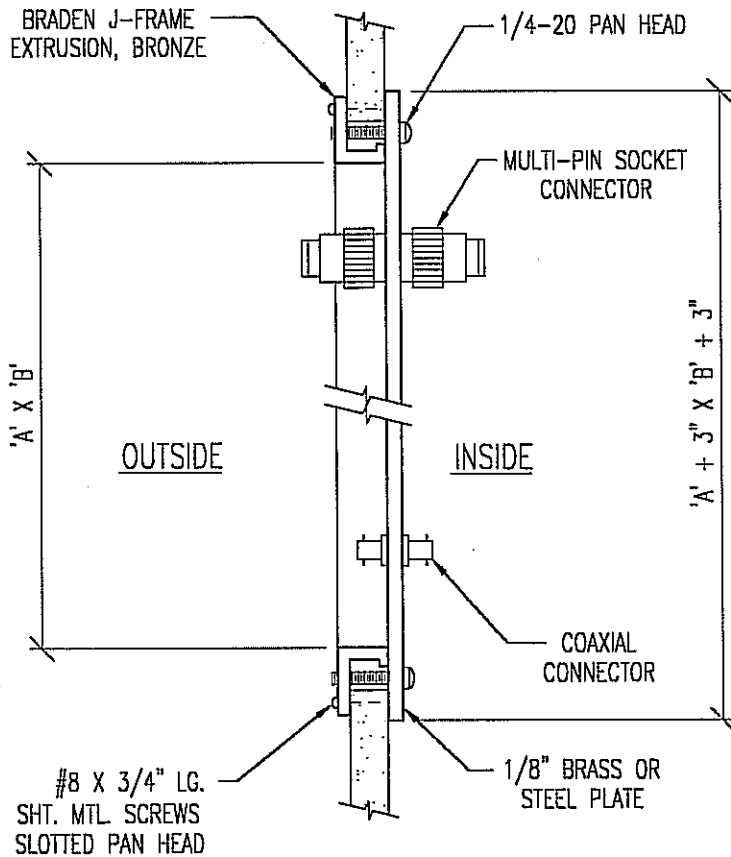
A19



ADAPTOR PART NO.	CAP PART NO.	TYPE
EAG036AC01	EAG036AD01	N
EAG036AE01	EAG036AF01	BNC
EAG036AG01	EAG036AH01	TNC
EAG036AI01	EAG036AJ01	SMA

NOTE:
CONNECTORS CAN BE FIELD LOCATED AND INSTALLED.

TYPICAL COAX CONNECTOR

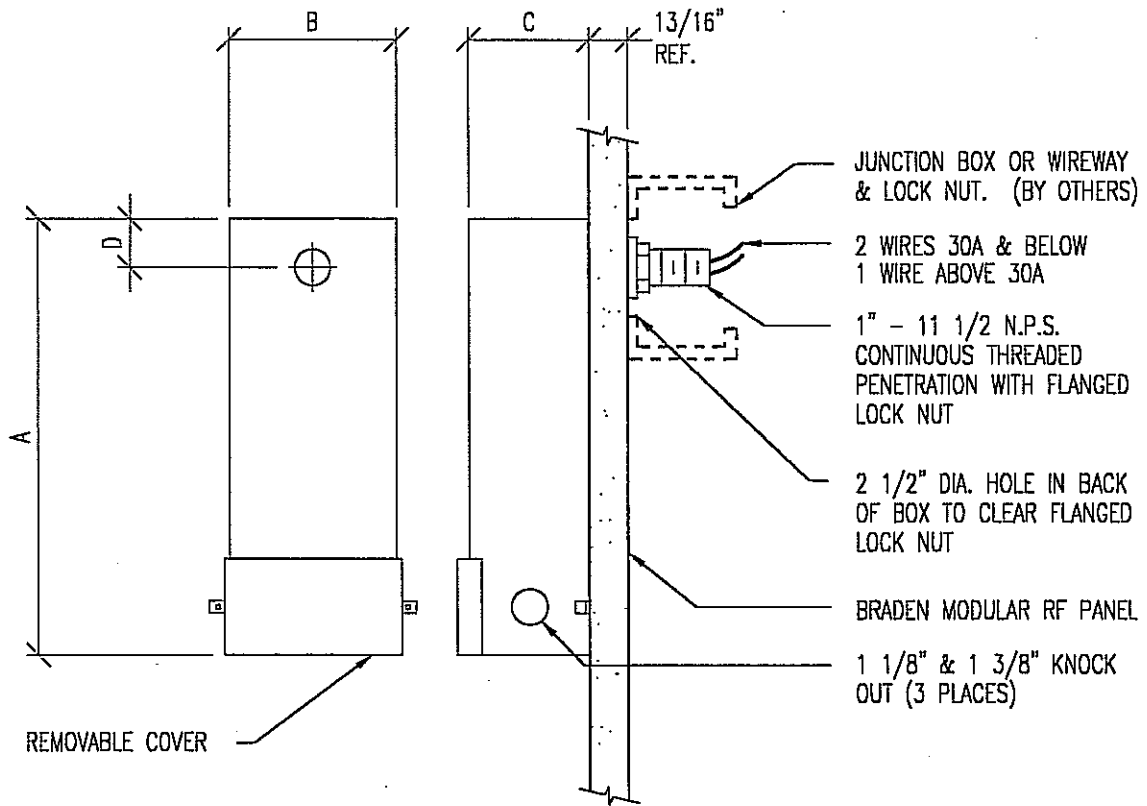


PART NO.	'A'	'B'	PANEL SIZE
SPA001AA01	12"	12"	15" X 15"
SPA002AA01	12"	18"	15" X 21"
SPA003AA01	12"	24"	15" X 27"
SPA004AA01	18"	24"	21" X 27"
SPA005AA01	24"	24"	27" X 27"
SPA006AA01	6"	12"	9" X 15"

SET - UP PANEL AND CONNECTORS



A20

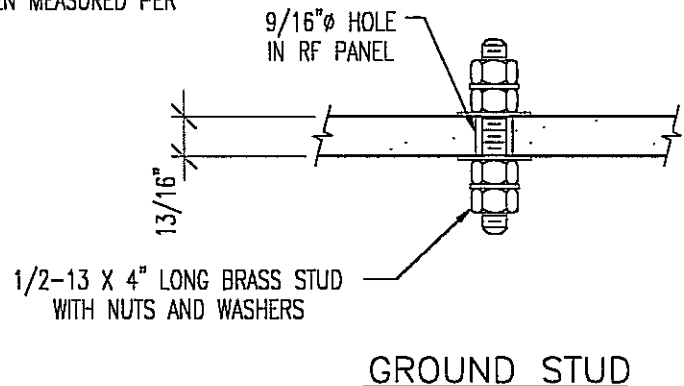


PART NO.	CURRENT RATING	FREQUENCY	MAXIMUM VOLTAGE	A	B	C	D	COMMENTS
EAG002AA05	2 X 5A (2 WIRE)	0-60 Hz	277/480 VAC	16"	6"	4"	1 3/4"	U.L. LISTED #10 WIRE
EAG002AA06	2 X 30A (2 WIRE)	0-60 Hz	277/480 VAC	22 1/2"	8"	6"	2"	U.L. LISTED #10 WIRE
EAG002AA07	100A	0-60 Hz	277 VAC	34"	8"	6"	2"	U.L. LISTED #2 WIRE
EAG002AA08	225A	0-60 Hz	277 VAC	41"	10"	6"	2"	U.L. LISTED 250 MCM WIRE
EAG002AA18	2 X 12A (2 WIRE)	0-60 Hz	120 VDC	24"	6"	6"	2"	U.L. LISTED #10 WIRE

EAG002AA05, EAG002AA06, EAG002AA07, AND EAG002AA08 ARE AVAILABLE IN 600 VAC . . .

FILTER SPECIFICATIONS

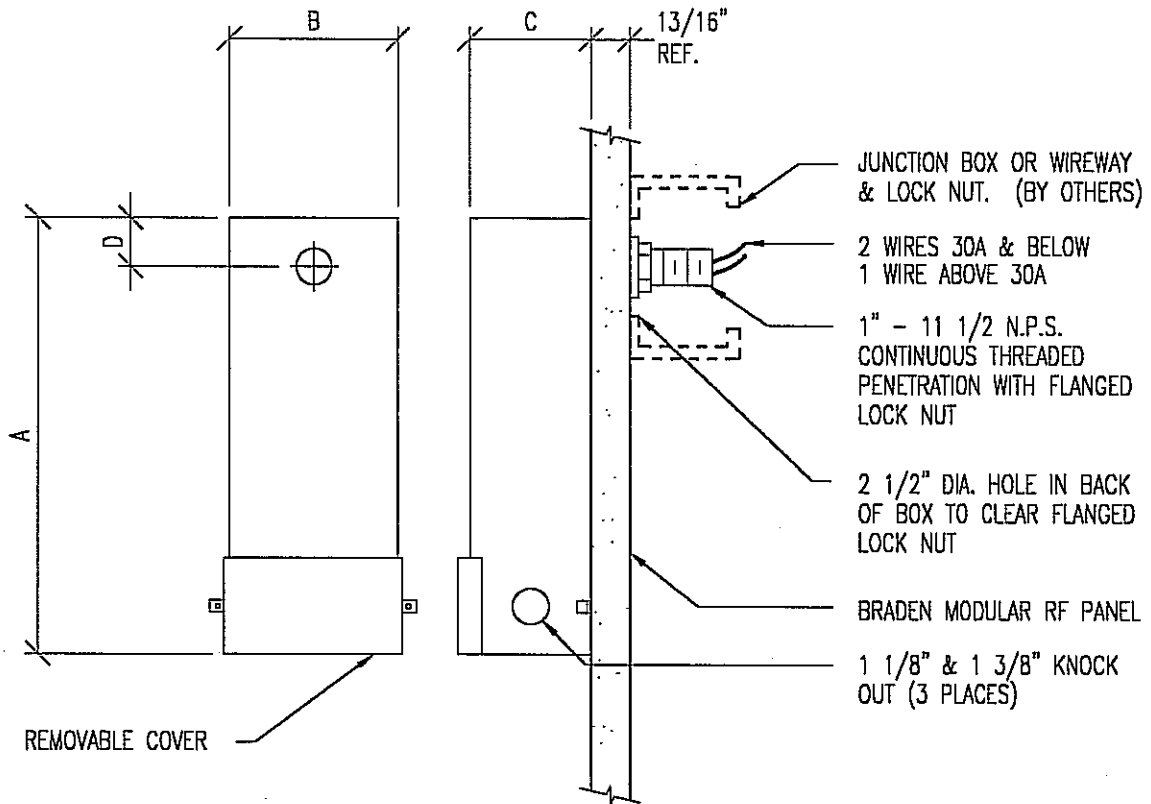
INSERTION LOSS: 100 dB FROM 14 KHz TO 10 GHz WHEN MEASURED PER MIL-STD-220 LOAD CONDITIONS.



FACILITY AND POWER LINE FILTERS



A21



PART NO.	CURRENT RATING	FREQUENCY	MAXIMUM VOLTAGE	A	B	C	D	WEIGHT APPROX.
EAG002AA02	2 X .15A	0-60 HZ.	250 VAC 600 VDC	6 13/16	3 1/2	2 1/2	1 1/4	5.0 LBS.
EAG002AA03	2 X 1A	0-60 HZ.	400 VDC *	9	3 1/2	2 1/2	1 1/4	5.0 LBS.
EAG002AA04	2 X .5A	0-60 HZ.	400 VDC *	9	3 1/2	2 1/2	1 1/4	5.0 LBS.
EAG002AA16	2 X .15A	0-60 HZ.	400 VDC *	9	3 1/2	2 1/2	1 1/4	5.0 LBS.
EAG002AA17	2 X .5A	0-60 HZ.	100 VDC **	9	3 1/2	2 1/2	1 1/4	5.0 LBS.

** THIS FILTER IS USED FOR AC OR DC APPLICATION UP TO AND INCLUDING 50 VAC/100 VDC

* THESE FILTERS ARE USED FOR AC OR DC APPLICATION UP TO AND INCLUDING 125 VAC/400 VDC

EAG002AA02 HIGH RATE DATA FILTER:

INSERTION LOSS: 100dB FROM 100 KHz TO 10 GHz

PASS BAND: 0-23 KHz, 1dB AT 23 KHz

IMPEDANCE: 300 OHMS LINE TO GROUND, 600 OHMS LINE TO LINE (BALANCED)

EAG002AA03 FIRE ALARM AND SMOKE DETECTOR ALARM:

INSERTION LOSS: 100dB FROM 14 KHz TO 10 GHz

EAG002AA04 TELEPHONE FILTER, HIGH CURRENT:

INSERTION LOSS: 100dB FROM 14 KHz TO 10 GHz

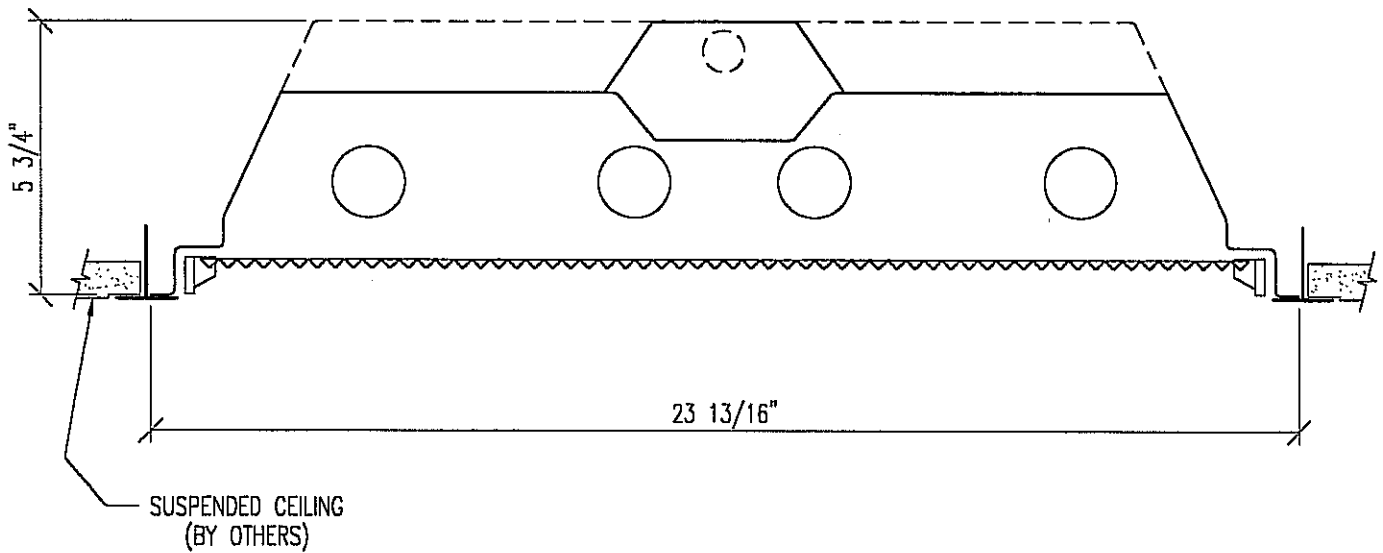
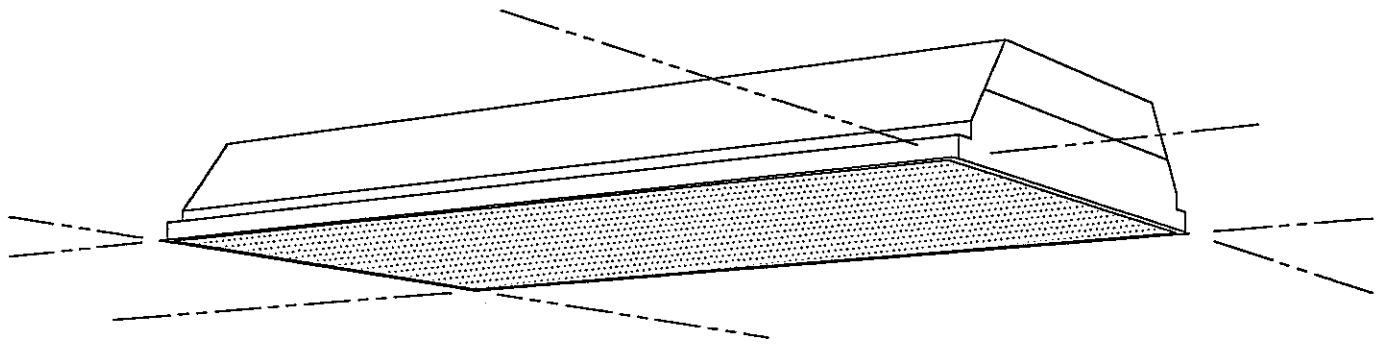
PASS BAND: 0-3 KHz

IMPEDANCE: 300 OHMS LINE TO GROUND, 600 OHMS LINE TO LINE (BALANCED)

DATA/COMMUNICATIONS FILTERS



A22



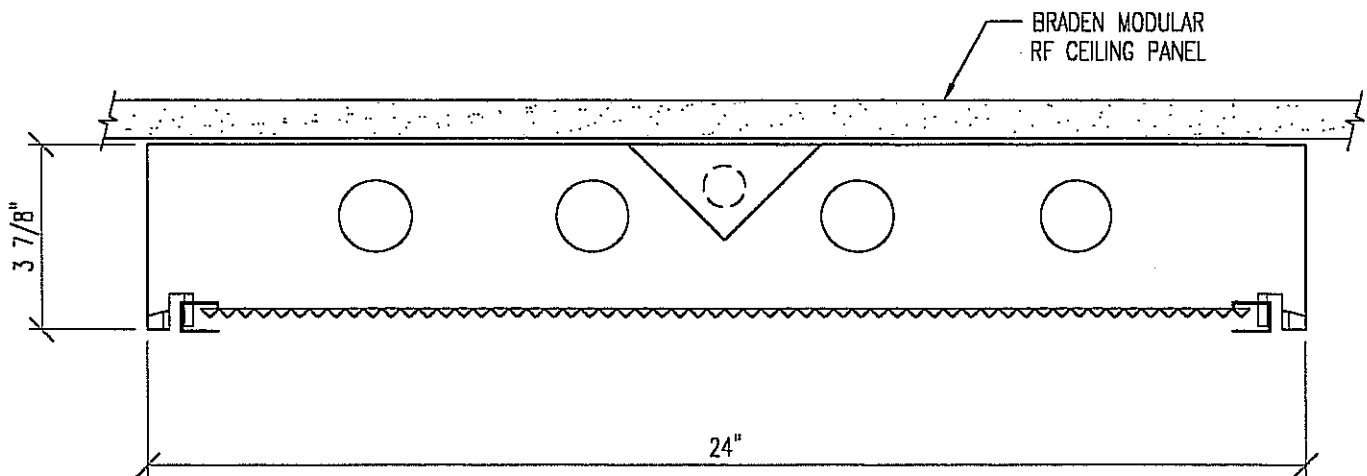
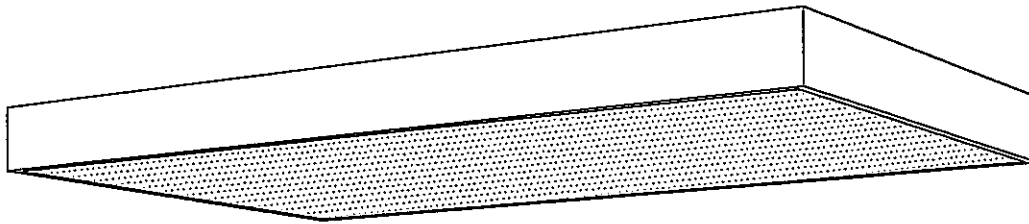
GRID TROFFER MOUNT

BRADEN PART NUMBER: EAG003AB01
MEETS FCC PART 18 (FCC MP4)
120V 50/60 Hz RF BALLAST
FOUR LAMP FIXTURE (40 WATT LAMPS)
NOMINAL SIZE: 2' X 4' X 4"

RF SUPPRESSED FLUORESCENT FIXTURE



A23



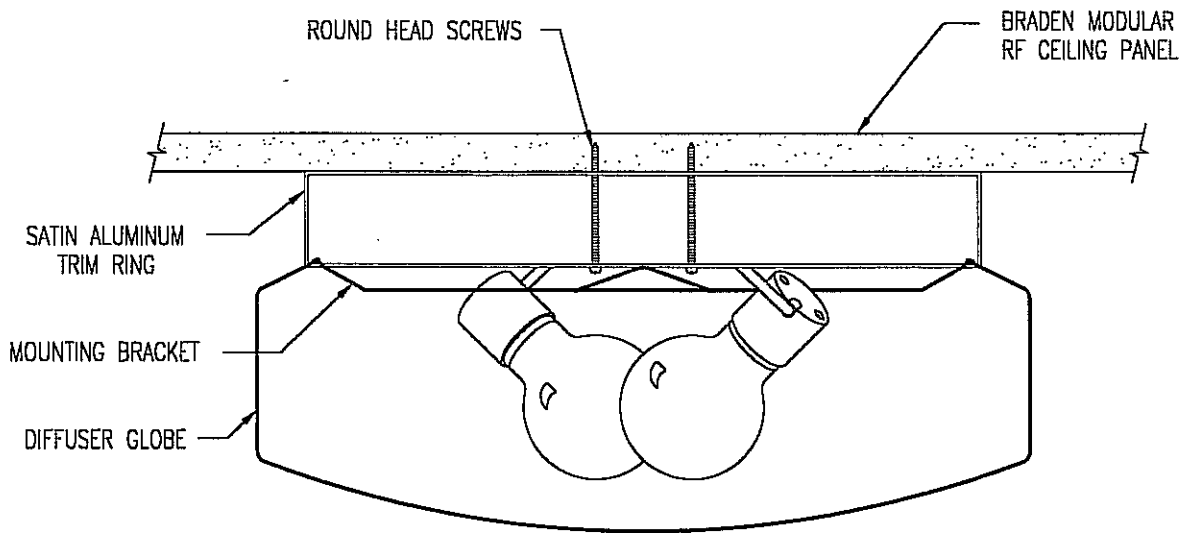
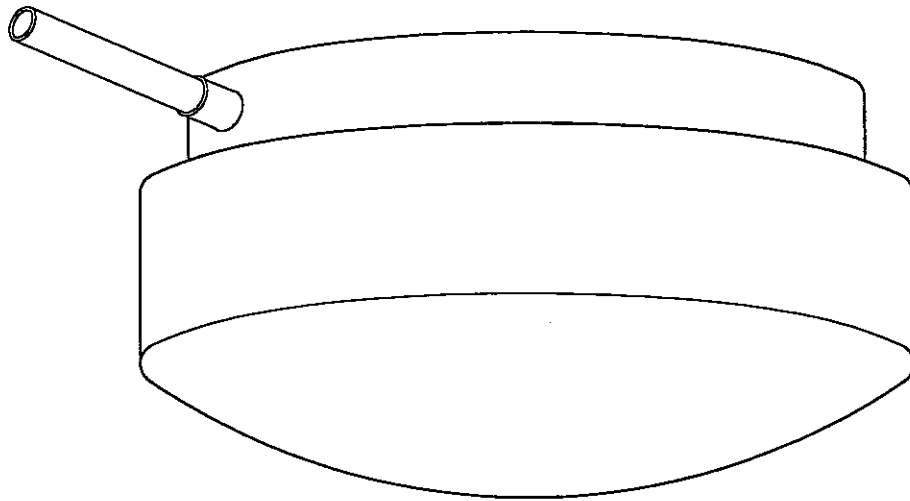
SURFACE MOUNTED

BRADEN PART NUMBER: EAG003AC01
MEETS FCC PART 18 (FCC MP4)
120V 50/60 Hz RF BALLAST
FOUR LAMP FIXTURE (40 WATT LAMPS)
NOMINAL SIZE: 2' X 4' X 4"

RF SUPPRESSED FLUORESCENT FIXTURE



A24



SURFACE MOUNT

BRADEN PART NUMBER: EAG003AA04
2 X 75 WATT INCANDESCENT
LIGHTOLIER #6702

INCANDESCENT LIGHT FIXTURE



A25